

Production Worksheet

Wilcom EmbroideryStudio - Designing



Design: **3**

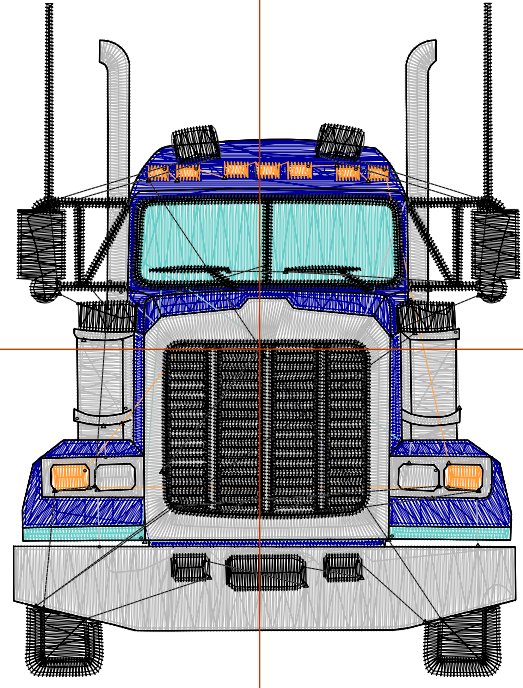
Title:

Stitches: 18,658
 Height: 3.51 in
 Width: 2.64 in
 Colors: 5
 Colorway: Colorway 1
 Zoom: 1:1

Machine format: Tajima
 Color changes: 4
 Stops: 5
 Trims: 58
 Appliqués: 0
 Left: 32.6 mm
 Right: 34.4 mm
 Up: 45.8 mm
 Down: 43.3 mm
 EndX: 0.00 in
 EndY: 0.00 in
 Area 9.25 in²
 Max stitch: 6.9 mm
 Min stitch: 0.0 mm
 Max jump: 6.8 mm
 Total thread: 281.87ft
 Total bobbin: 93.51ft

Stop Sequence:

#	N#	Color	St.	Code	Name	Chart
1.	10		3,027	10	Dark Blue	Default
2.	3		1,008		R102 G204 B199	
3.	4		5,767		R184 G184 B184	
4.	12		325	12	Orange	Default
5.	8		8,529	8	Black	Default



Production Worksheet

Wilcom EmbroideryStudio - Designing



Design: **4**

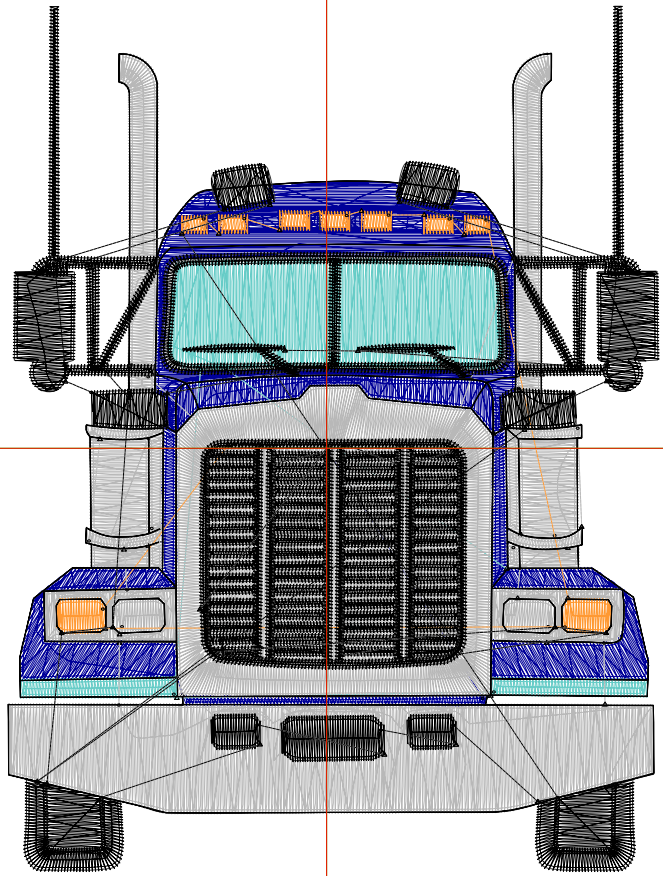
Title:

Stitches: 25,031
 Height: 4.51 in
 Width: 3.39 in
 Colors: 5
 Colorway: Colorway 1
 Zoom: 1:1

Machine format: Tajima
 Color changes: 4
 Stops: 5
 Trims: 63
 Appliqués: 0
 Left: 42.1 mm
 Right: 44.0 mm
 Up: 58.5 mm
 Down: 56.0 mm
 EndX: 0.00 in
 EndY: 0.00 in
 Area: 15.27 in²
 Max stitch: 8.9 mm
 Min stitch: 0.1 mm
 Max jump: 7.0 mm
 Total thread: 409.81ft
 Total bobbin: 144.55ft

Stop Sequence:

#	N#	Color	St.	Code	Name	Chart
1.	10		4,097	10	Dark Blue	Default
2.	3		1,479		R102 G204 B199	
3.	4		8,139		R184 G184 B184	
4.	12		428	12	Orange	Default
5.	8		10,886	8	Black	Default



Production Worksheet

Wilcom EmbroideryStudio - Designing



Design: **5**

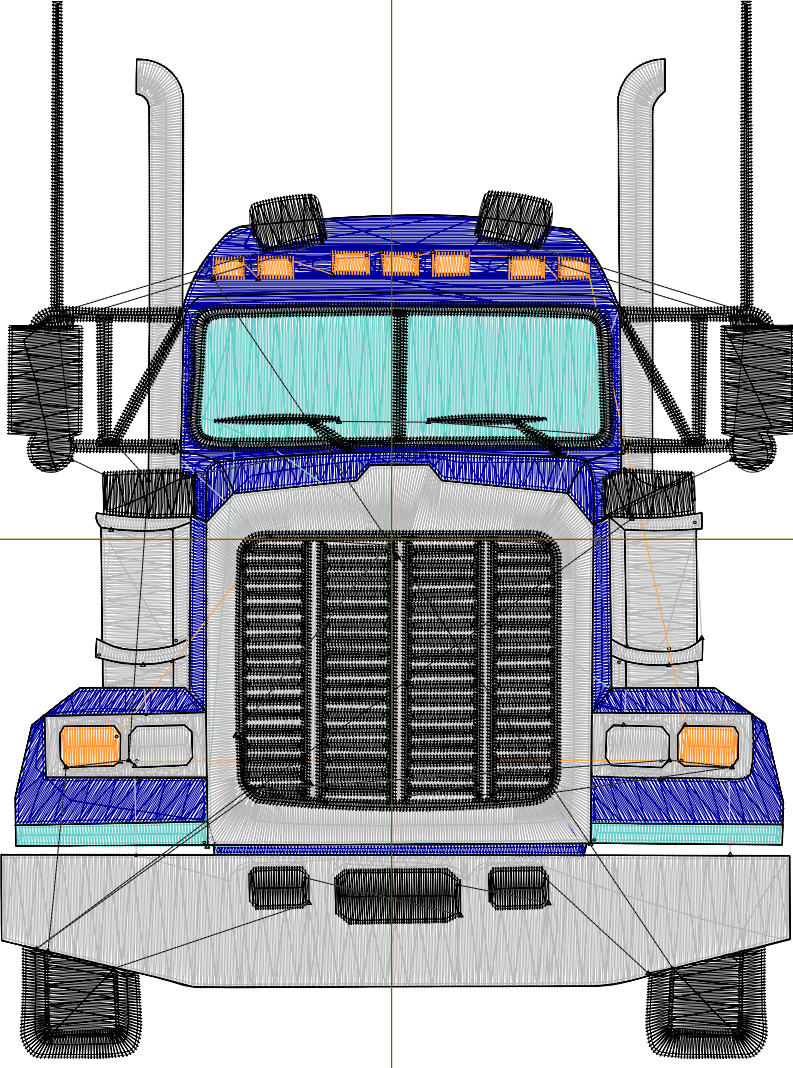
Title:

Stitches: 32,211
 Height: 5.51 in
 Width: 4.14 in
 Colors: 5
 Colorway: Colorway 1
 Zoom: 1:1

Machine format: Tajima
 Color changes: 4
 Stops: 5
 Trims: 66
 Appliqués: 0
 Left: 51.7 mm
 Right: 53.5 mm
 Up: 71.2 mm
 Down: 68.7 mm
 EndX: 0.00 in
 EndY: 0.00 in
 Area: 22.80 in²
 Max stitch: 10.9 mm
 Min stitch: 0.0 mm
 Max jump: 7.0 mm
 Total thread: 561.55ft
 Total bobbin: 206.55ft

Stop Sequence:

#	N#	Color	St.	Code	Name	Chart
1.	10		5,276	10	Dark Blue	Default
2.	3		2,080		R102 G204 B199	
3.	4		10,880		R184 G184 B184	
4.	12		493	12	Orange	Default
5.	8		13,480	8	Black	Default



Production Worksheet

Wilcom EmbroideryStudio - Designing



Design: **6**

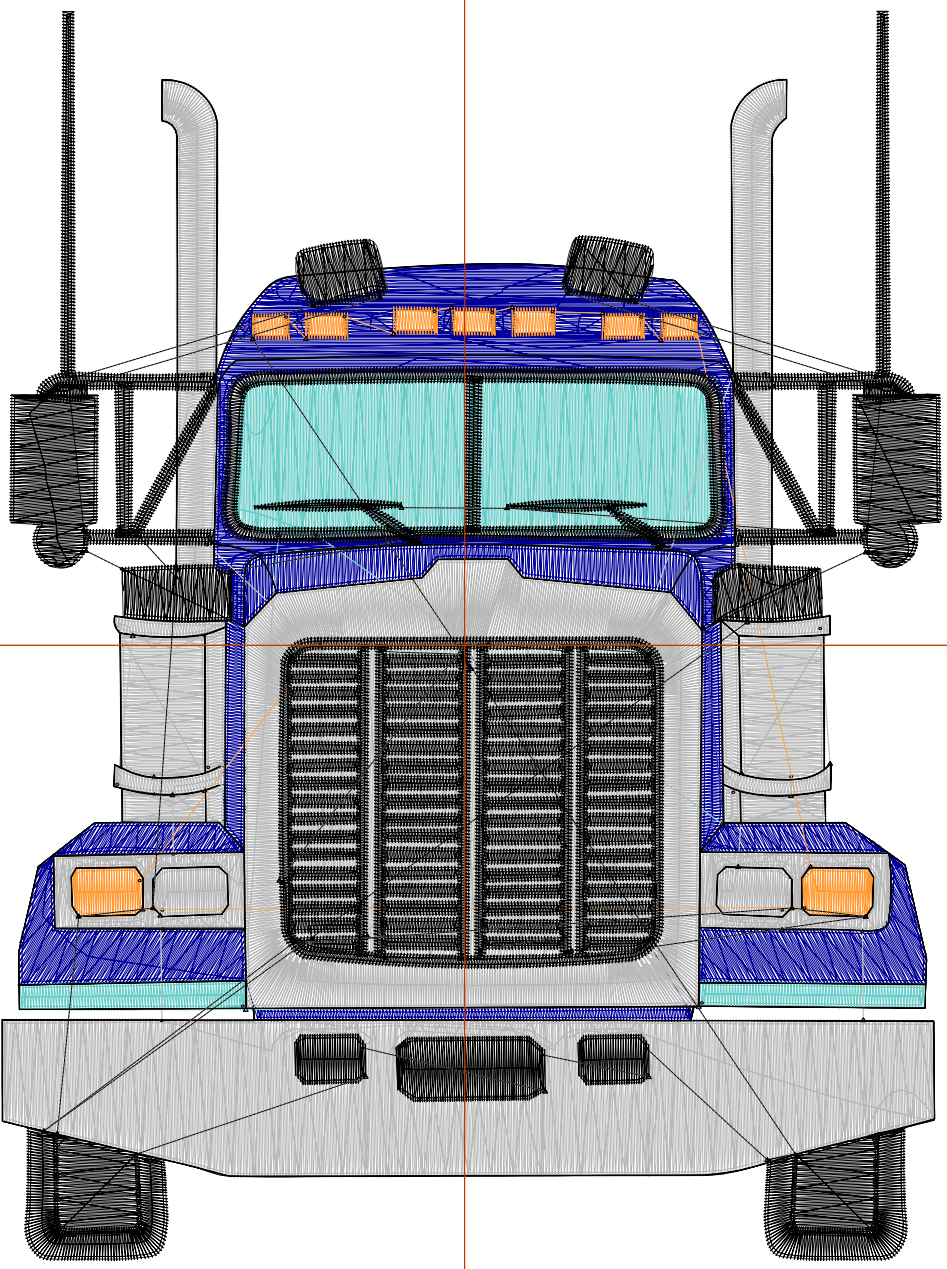
Title:

Stitches: 40,030
Height: 6.51 in
Width: 4.89 in
Colors: 5
Colorway: Colorway 1
Zoom: 1:1

Machine format: Tajima
Color changes: 4
Stops: 5
Trims: 70
Appliqués: 0
Left: 61.2 mm
Right: 63.0 mm
Up: 83.9 mm
Down: 81.4 mm
EndX: 0.00 in
EndY: 0.00 in
Area: 31.83 in²
Max stitch: 7.5 mm
Min stitch: 0.0 mm
Max jump: 6.9 mm
Total thread: 735.24ft
Total bobbin: 279.07ft

Stop Sequence:

#	N#	Color	St.	Code	Name	Chart
1.	10		6,391	10	Dark Blue	Default
2.	3		2,731		R102 G204 B199	
3.	4		14,250		R184 G184 B184	
4.	12		587	12	Orange	Default
5.	8		16,069	8	Black	Default



Production Worksheet

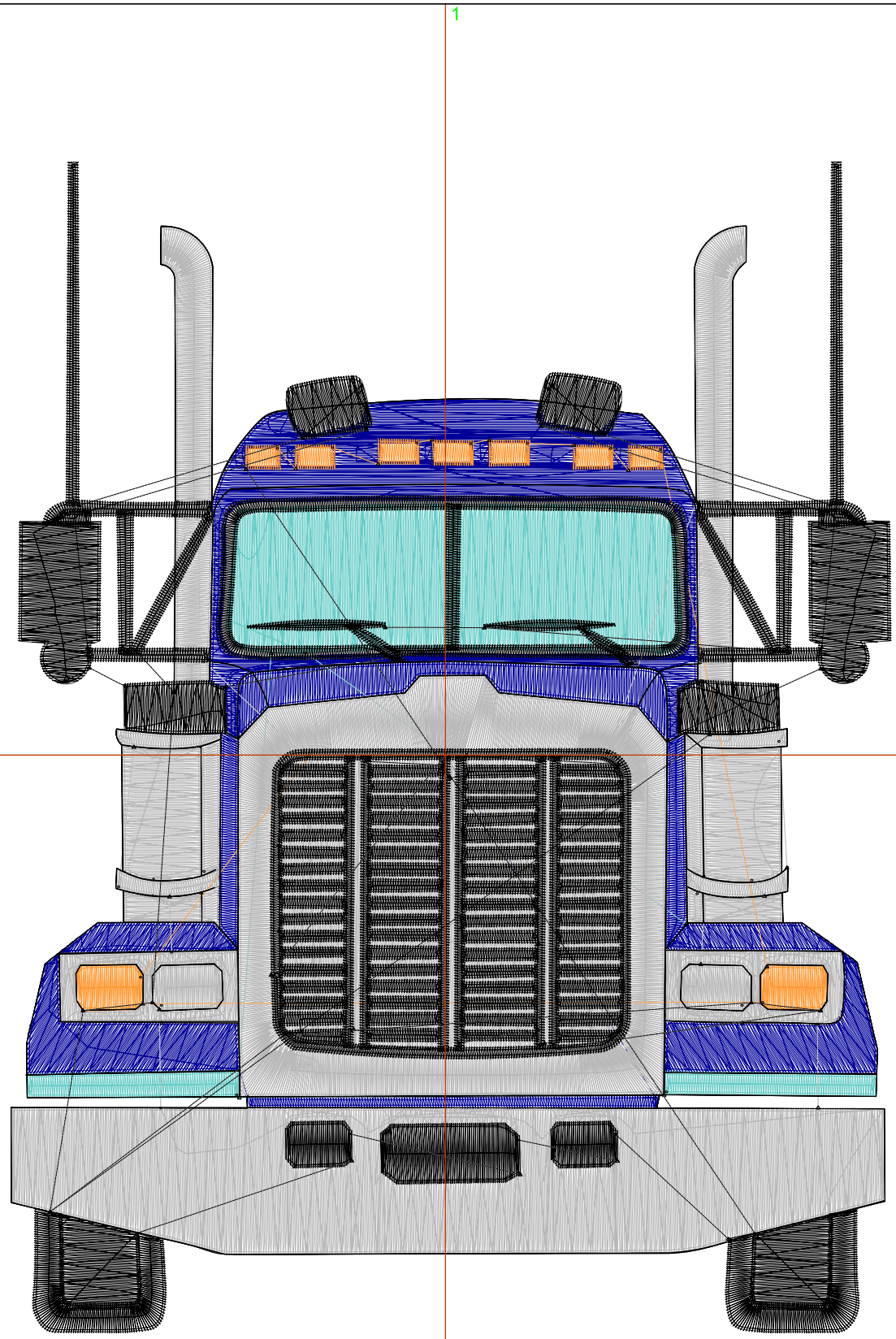
Wilcom EmbroideryStudio - Designing



Design: **7**

Title:

Stitches: 49,049
Height: 7.51 in
Width: 5.64 in
Colors: 5
Colorway: Colorway 1
Zoom: 1:1



Production Worksheet

Wilcom EmbroideryStudio - Designing



Design: **7**

Title:

Stitches: 49,049
 Height: 7.51 in
 Width: 5.64 in
 Colors: 5
 Colorway: Colorway 1
 Zoom: 1:1

Machine format: Tajima
 Color changes: 4
 Stops: 5
 Trims: 87
 Appliqués: 0
 Left: 70.8 mm
 Right: 72.6 mm
 Up: 96.6 mm
 Down: 94.1 mm
 EndX: 0.00 in
 EndY: 0.00 in
 Area 42.36 in²
 Max stitch: 9.7 mm
 Min stitch: 0.1 mm
 Max jump: 7.0 mm
 Total thread: 937.69ft
 Total bobbin: 363.97ft

Stop Sequence:

#	N#	Color	St.	Code	Name	Chart
1.	10		7,832	10	Dark Blue	Default
2.	3		3,447		R102 G204 B199	
3.	4		18,032		R184 G184 B184	
4.	12		782	12	Orange	Default
5.	8		18,954	8	Black	Default