

# Production Worksheet

Wilcom EmbroideryStudio - Designing



Design: **3**

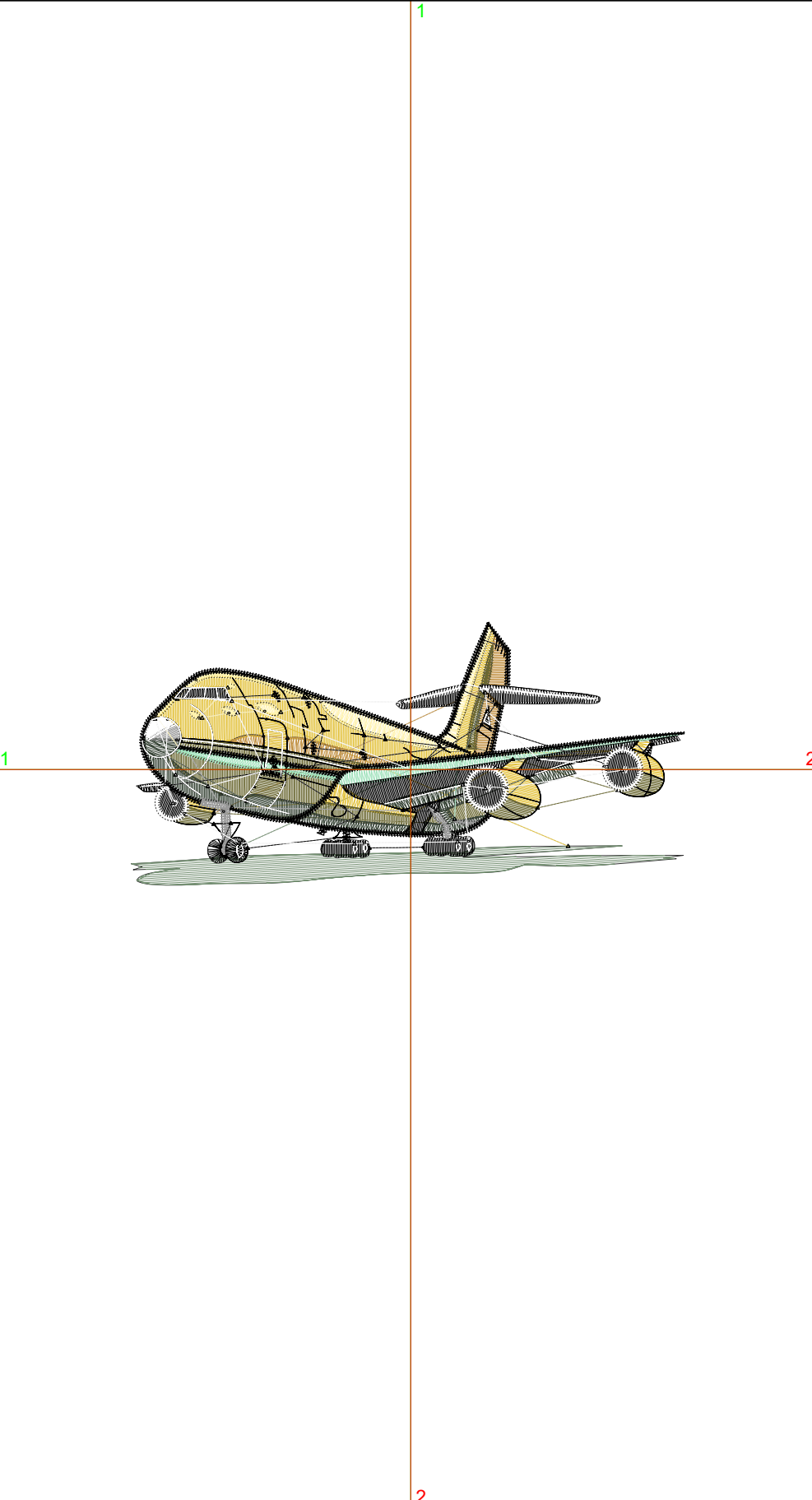
Title:

Stitches: 11,529  
 Height: 1.66 in  
 Width: 3.50 in  
 Colors: 10  
 Colorway: Colorway 1  
 Zoom: 1:1

Machine format: Tajima  
 Color changes: 9  
 Stops: 10  
 Trims: 79  
 Appliqués: 0  
 Left: 44.9 mm  
 Right: 44.0 mm  
 Up: 23.7 mm  
 Down: 18.5 mm  
 EndX: 0.00 in  
 EndY: 0.00 in  
 Area 5.82 in<sup>2</sup>  
 Max stitch: 9.8 mm  
 Min stitch: 0.0 mm  
 Max jump: 6.9 mm  
 Total thread: 142.09ft  
 Total bobbin: 37.43ft

Stop Sequence:

#	N#	Color	St.	Code	Name	Chart
1.	10		411		R116 G143 B114	
2.	8		1,623		R227 G194 B61	
3.	7		565		R194 G146 B69	
4.	5		1,400		R107 G104 B50	
5.	6		896		R56 G69 B55	
6.	4		263		R153 G153 B153	
7.	3		525		R163 G227 B190	
8.	2		644		R255 G243 B177	
9.	28		4,148	8	Black	Default
10.	9		1,052	9	White	Default



# Production Worksheet

Wilcom EmbroideryStudio - Designing



Design: **4**

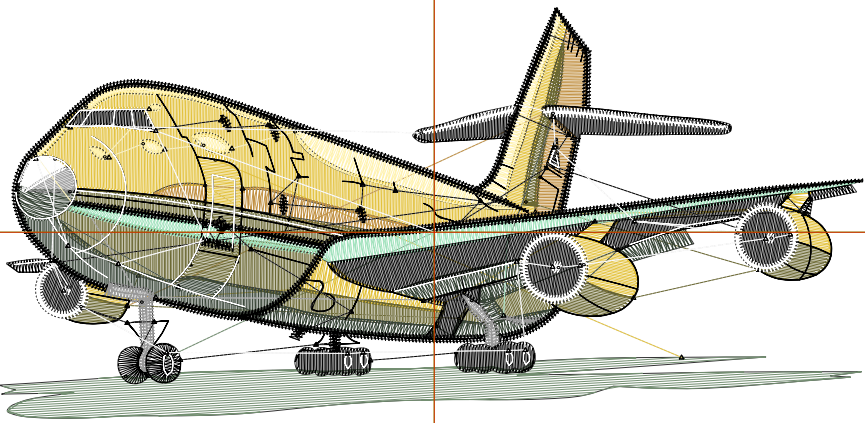
Title:

Stitches: 15,136  
 Height: 2.14 in  
 Width: 4.48 in  
 Colors: 10  
 Colorway: Colorway 1  
 Zoom: 1:1

Machine format: Tajima  
 Color changes: 9  
 Stops: 10  
 Trims: 87  
 Appliqués: 0  
 Left: 57.0 mm  
 Right: 56.7 mm  
 Up: 29.7 mm  
 Down: 24.6 mm  
 EndX: 0.00 in  
 EndY: 0.00 in  
 Area 9.57 in<sup>2</sup>  
 Max stitch: 8.0 mm  
 Min stitch: 0.0 mm  
 Max jump: 7.0 mm  
 Total thread: 197.90ft  
 Total bobbin: 56.47ft

Stop Sequence:

#	N#	Color	St.	Code	Name	Chart
1.	10		573		R116 G143 B114	
2.	8		2,250		R227 G194 B61	
3.	7		624		R194 G146 B69	
4.	5		1,909		R107 G104 B50	
5.	6		1,243		R56 G69 B55	
6.	4		328		R153 G153 B153	
7.	3		704		R163 G227 B190	
8.	2		842		R255 G243 B177	
9.	28		5,331	8	Black	Default
10.	9		1,330	9	White	Default



# Production Worksheet

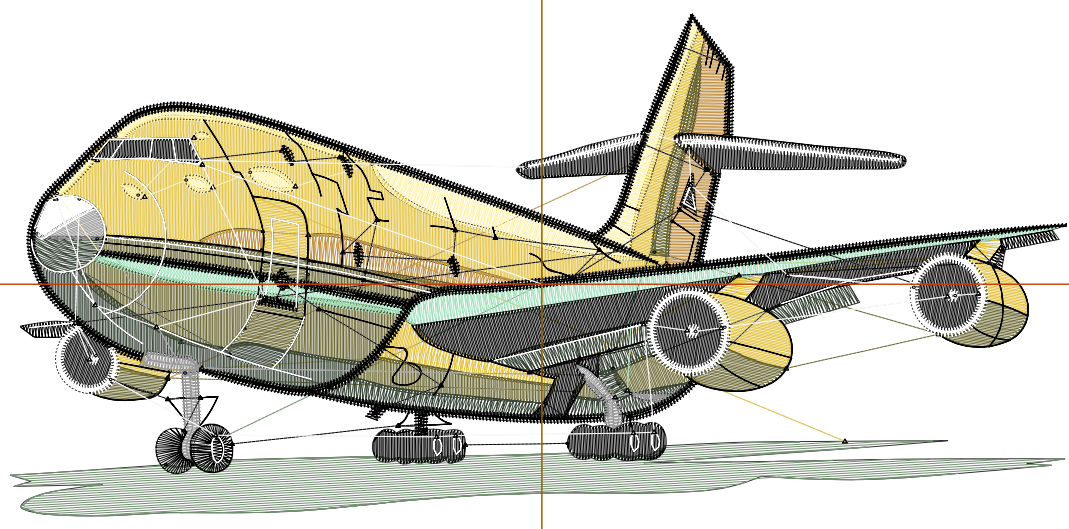
Wilcom EmbroideryStudio - Designing



Design: **5**

Title:

Stitches: 19,178  
Height: 2.62 in  
Width: 5.50 in  
Colors: 10  
Colorway: Colorway 1  
Zoom: 1:1



1

1

2

2

# Production Worksheet

Wilcom EmbroideryStudio - Designing



Design: **5**

Title:

Stitches: 19,178  
 Height: 2.62 in  
 Width: 5.50 in  
 Colors: 10  
 Colorway: Colorway 1  
 Zoom: 1:1

Machine format: Tajima  
 Color changes: 9  
 Stops: 10  
 Trims: 92  
 Appliqués: 0  
 Left: 70.3 mm  
 Right: 69.4 mm  
 Up: 35.8 mm  
 Down: 30.7 mm  
 EndX: 0.00 in  
 EndY: 0.00 in  
 Area 14.39 in<sup>2</sup>  
 Max stitch: 9.8 mm  
 Min stitch: 0.0 mm  
 Max jump: 7.0 mm  
 Total thread: 263.91ft  
 Total bobbin: 79.87ft

Stop Sequence:

#	N#	Color	St.	Code	Name	Chart
1.	10		810		R116 G143 B114	
2.	8		2,967		R227 G194 B61	
3.	7		826		R194 G146 B69	
4.	5		2,447		R107 G104 B50	
5.	6		1,599		R56 G69 B55	
6.	4		400		R153 G153 B153	
7.	3		921		R163 G227 B190	
8.	2		1,039		R255 G243 B177	
9.	28		6,615	8	Black	Default
10.	9		1,552	9	White	Default

# Production Worksheet

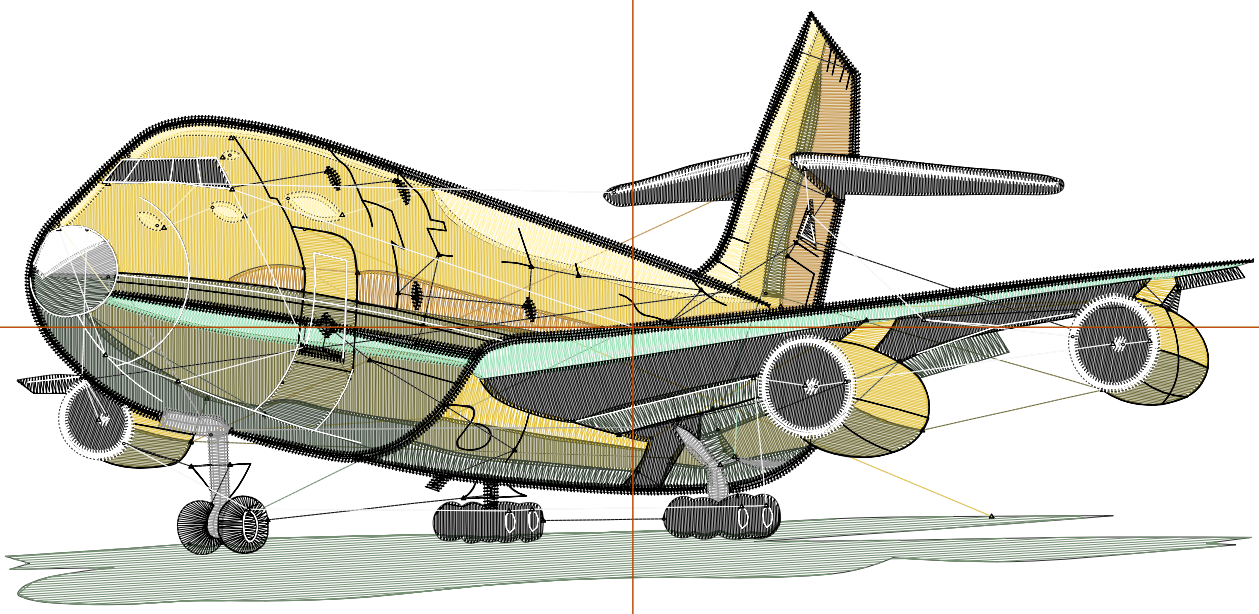
Wilcom EmbroideryStudio - Designing



Design: **6**

Title:

Stitches: 23,590  
Height: 3.09 in  
Width: 6.50 in  
Colors: 10  
Colorway: Colorway 1  
Zoom: 1:1



# Production Worksheet

Wilcom EmbroideryStudio - Designing



Design: **6**

Title:

Stitches: 23,590  
 Height: 3.09 in  
 Width: 6.50 in  
 Colors: 10  
 Colorway: Colorway 1  
 Zoom: 1:1

Machine format: Tajima  
 Color changes: 9  
 Stops: 10  
 Trims: 95  
 Appliqués: 0  
 Left: 83.0 mm  
 Right: 82.1 mm  
 Up: 41.8 mm  
 Down: 36.7 mm  
 EndX: 0.00 in  
 EndY: 0.00 in  
 Area 20.08 in<sup>2</sup>  
 Max stitch: 11.5 mm  
 Min stitch: 0.0 mm  
 Max jump: 7.0 mm  
 Total thread: 339.78ft  
 Total bobbin: 107.68ft

Stop Sequence:

#	N#	Color	St.	Code	Name	Chart
1.	10		1,083		R116 G143 B114	
2.	8		3,741		R227 G194 B61	
3.	7		1,024		R194 G146 B69	
4.	5		3,073		R107 G104 B50	
5.	6		2,000		R56 G69 B55	
6.	4		460		R153 G153 B153	
7.	3		1,138		R163 G227 B190	
8.	2		1,286		R255 G243 B177	
9.	28		8,031	8	Black	Default
10.	9		1,752	9	White	Default

# Production Worksheet

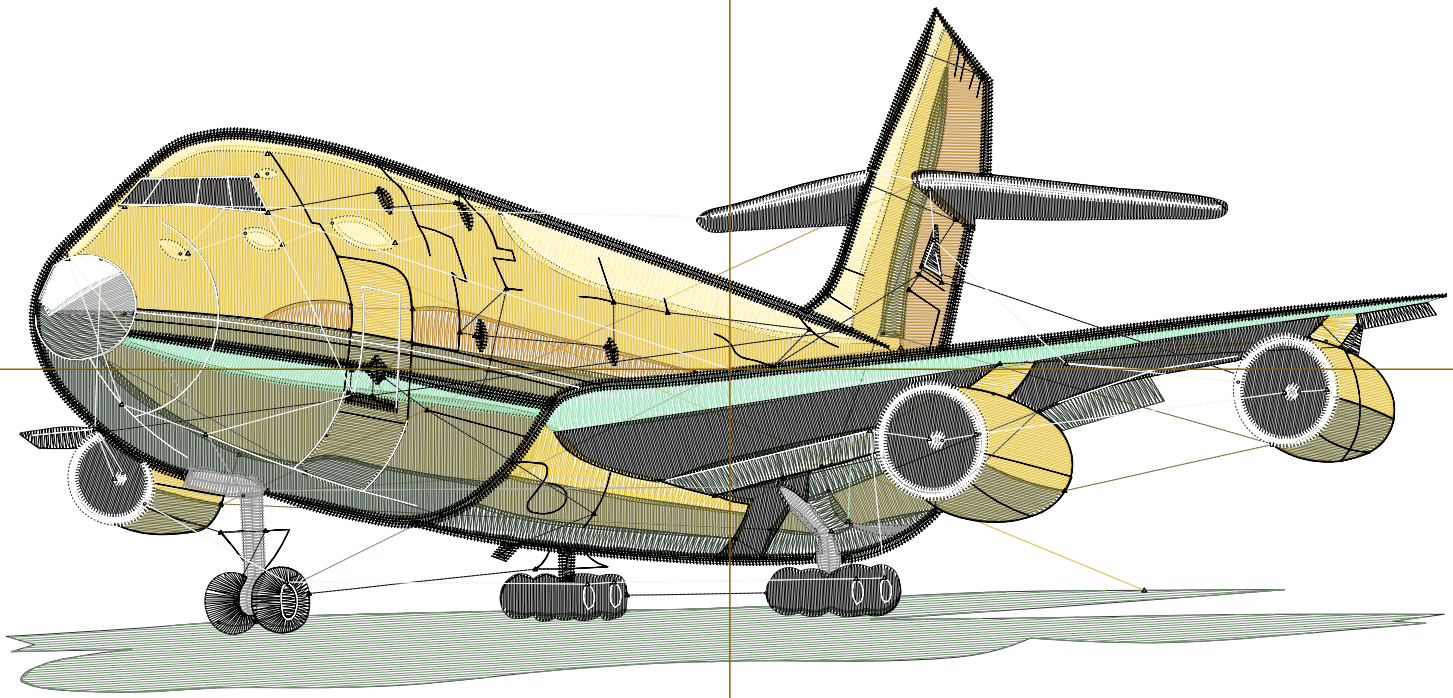
Wilcom EmbroideryStudio - Designing



Design: **7**

Title:

Stitches: 28,296  
Height: 3.56 in  
Width: 7.48 in  
Colors: 10  
Colorway: Colorway 1  
Zoom: 1:1



# Production Worksheet

Wilcom EmbroideryStudio - Designing



Design: **7**

Title:

Stitches: 28,296  
 Height: 3.56 in  
 Width: 7.48 in  
 Colors: 10  
 Colorway: Colorway 1  
 Zoom: 1:1

Machine format: Tajima  
 Color changes: 9  
 Stops: 10  
 Trims: 99  
 Appliqués: 0  
 Left: 95.3 mm  
 Right: 94.8 mm  
 Up: 47.8 mm  
 Down: 42.7 mm  
 EndX: 0.00 in  
 EndY: 0.00 in  
 Area 26.67 in<sup>2</sup>  
 Max stitch: 10.4 mm  
 Min stitch: 0.0 mm  
 Max jump: 7.0 mm  
 Total thread: 424.08ft  
 Total bobbin: 139.34ft

Stop Sequence:

#	N#	Color	St.	Code	Name	Chart
1.	10		1,367		R116 G143 B114	
2.	8		4,654		R227 G194 B61	
3.	7		1,236		R194 G146 B69	
4.	5		3,708		R107 G104 B50	
5.	6		2,427		R56 G69 B55	
6.	4		534		R153 G153 B153	
7.	3		1,388		R163 G227 B190	
8.	2		1,529		R255 G243 B177	
9.	28		9,482	8	Black	Default
10.	9		1,969	9	White	Default