

# Production Worksheet

Wilcom EmbroideryStudio - Designing



Design: **3**

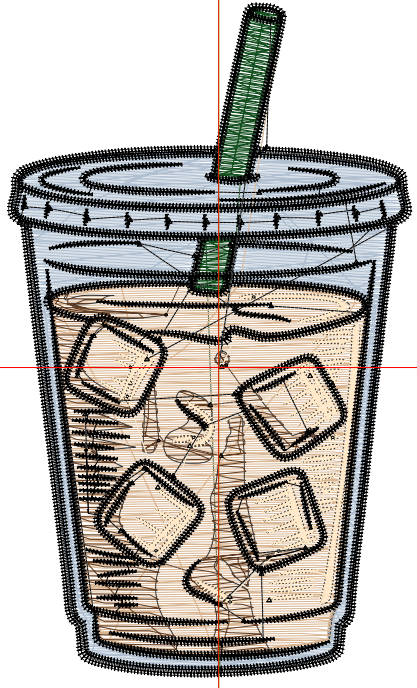
Title:

Stitches: 15,775  
Height: 3.51 in  
Width: 2.11 in  
Colors: 6  
Colorway: Colorway 1  
Zoom: 1:1

Machine format: Tajima  
Color changes: 5  
Stops: 6  
Trims: 55  
Appliqués: 0  
Left: 27.9 mm  
Right: 25.6 mm  
Up: 48.2 mm  
Down: 41.0 mm  
EndX: 0.00 in  
EndY: 0.00 in  
Area 7.40 in<sup>2</sup>  
Max stitch: 9.5 mm  
Min stitch: 0.0 mm  
Max jump: 6.5 mm  
Total thread: 227.14ft  
Total bobbin: 72.09ft

Stop Sequence:

#	N#	Color	St.	Code	Name	Chart
1.	4		2,785		R176 G192 B209	
2.	5		432		R19 G79 B31	
3.	3		2,094		R217 G181 B145	
4.	2		649		R94 G59 B34	
5.	1		2,214		R255 G233 B201	
6.	8		7,599	8	Black	Default



# Production Worksheet

Wilcom EmbroideryStudio - Designing



Design: **4**

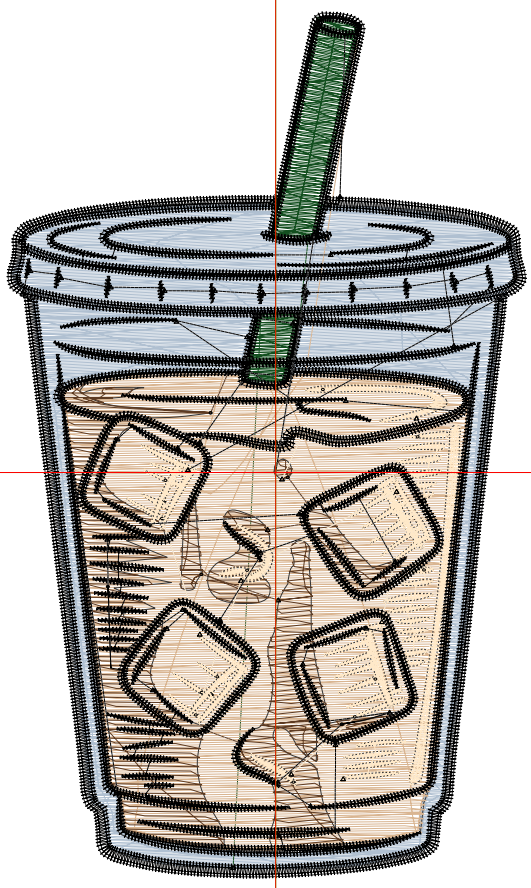
Title:

Stitches: 21,346  
Height: 4.51 in  
Width: 2.71 in  
Colors: 6  
Colorway: Colorway 1  
Zoom: 1:1

Machine format: Tajima  
Color changes: 5  
Stops: 6  
Trims: 62  
Appliqués: 0  
Left: 35.6 mm  
Right: 33.2 mm  
Up: 60.9 mm  
Down: 53.7 mm  
EndX: 0.00 in  
EndY: 0.00 in  
Area 12.22 in<sup>2</sup>  
Max stitch: 11.9 mm  
Min stitch: 0.0 mm  
Max jump: 6.9 mm  
Total thread: 331.10ft  
Total bobbin: 112.04ft

Stop Sequence:

#	N#	Color	St.	Code	Name	Chart
1.	4		4,051		R176 G192 B209	
2.	5		632		R19 G79 B31	
3.	3		3,332		R217 G181 B145	
4.	2		892		R94 G59 B34	
5.	1		2,826		R255 G233 B201	
6.	8		9,611	8	Black	Default



# Production Worksheet

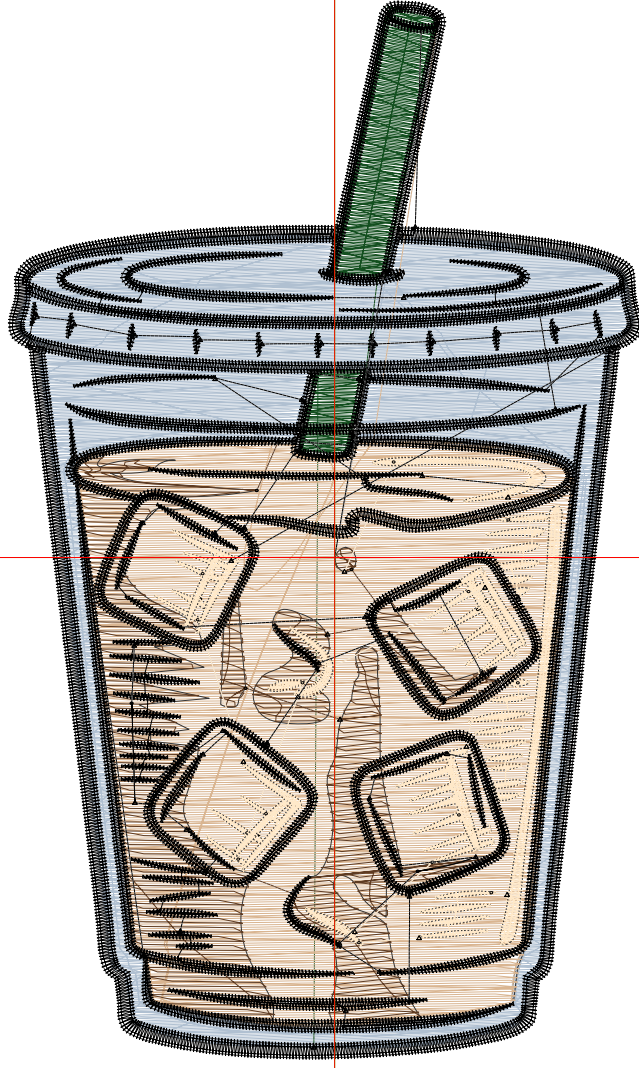
Wilcom EmbroideryStudio - Designing



Design: **5**

Title:

Stitches: 27,401  
Height: 5.51 in  
Width: 3.31 in  
Colors: 6  
Colorway: Colorway 1  
Zoom: 1:1



Machine format: Tajima  
Color changes: 5  
Stops: 6  
Trims: 70  
Appliqués: 0  
Left: 43.1 mm  
Right: 40.8 mm  
Up: 73.6 mm  
Down: 66.4 mm  
EndX: 0.00 in  
EndY: 0.00 in  
Area: 18.22 in<sup>2</sup>  
Max stitch: 6.9 mm  
Min stitch: 0.0 mm  
Max jump: 6.9 mm  
Total thread: 451.01ft  
Total bobbin: 159.55ft

Stop Sequence:

#	N#	Color	St.	Code	Name	Chart
1.	4		5,441		R176 G192 B209	
2.	5		831		R19 G79 B31	
3.	3		4,850		R217 G181 B145	
4.	2		1,182		R94 G59 B34	
5.	1		3,417		R255 G233 B201	
6.	8		11,678	8	Black	Default

# Production Worksheet

Wilcom EmbroideryStudio - Designing



Design: **6**

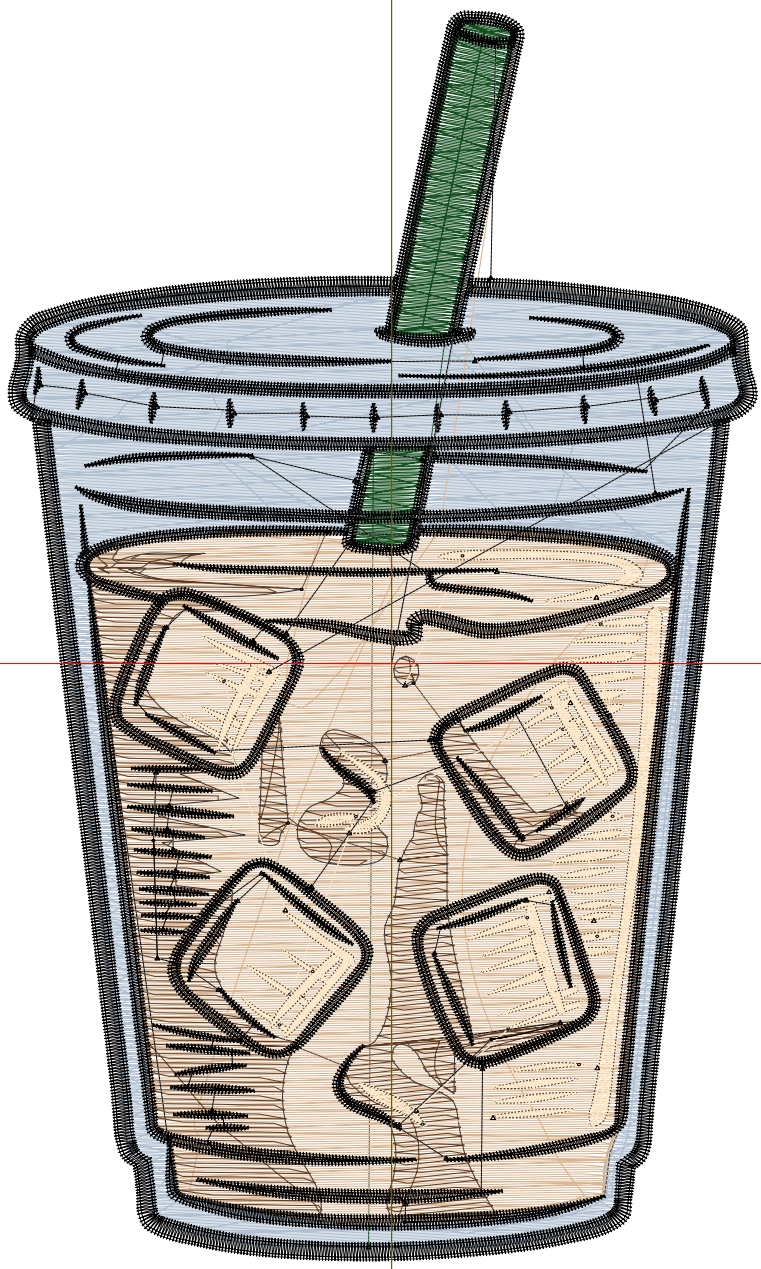
Title:

Stitches: 34,021  
 Height: 6.51 in  
 Width: 3.90 in  
 Colors: 6  
 Colorway: Colorway 1  
 Zoom: 1:1

Machine format: Tajima  
 Color changes: 5  
 Stops: 6  
 Trims: 78  
 Appliqués: 0  
 Left: 50.8 mm  
 Right: 48.4 mm  
 Up: 86.3 mm  
 Down: 79.1 mm  
 EndX: 0.00 in  
 EndY: 0.00 in  
 Area: 25.43 in<sup>2</sup>  
 Max stitch: 7.7 mm  
 Min stitch: 0.0 mm  
 Max jump: 6.6 mm  
 Total thread: 588.21ft  
 Total bobbin: 215.12ft

Stop Sequence:

#	N#	Color	St.	Code	Name	Chart
1.	4		7,053	R176	G192 B209	
2.	5		1,065	R19	G79 B31	
3.	3		6,627	R217	G181 B145	
4.	2		1,500	R94	G59 B34	
5.	1		3,999	R255	G233 B201	
6.	8		13,775	8	Black	Default



# Production Worksheet

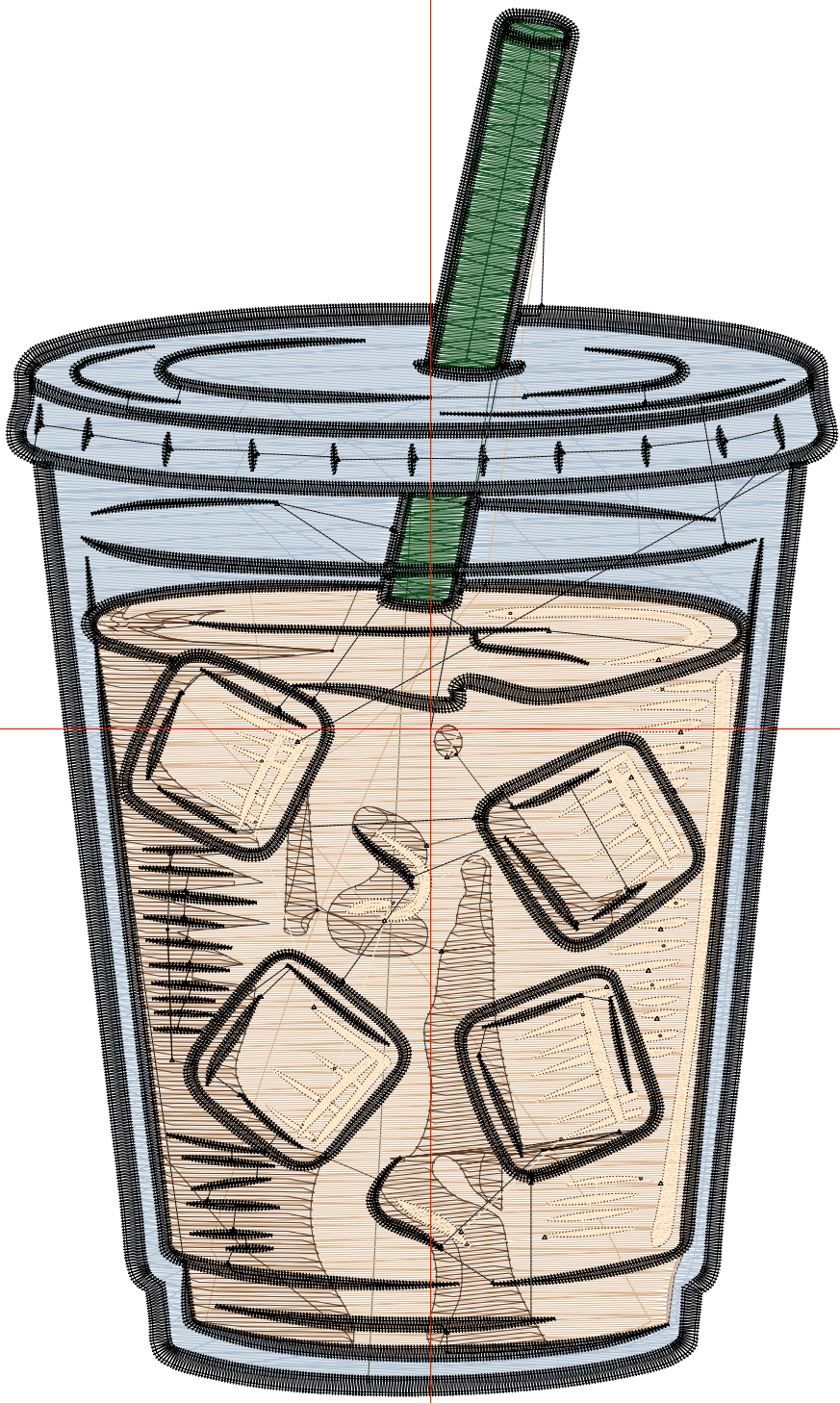
Wilcom EmbroideryStudio - Designing



Design: **7**

Title:

Stitches: 41,298  
Height: 7.51 in  
Width: 4.50 in  
Colors: 6  
Colorway: Colorway 1  
Zoom: 1:1



Machine format: Tajima  
Color changes: 5  
Stops: 6  
Trims: 87  
Appliqués: 0  
Left: 58.3 mm  
Right: 56.0 mm  
Up: 99.0 mm  
Down: 91.8 mm  
EndX: 0.00 in  
EndY: 0.00 in  
Area: 33.83 in<sup>2</sup>  
Max stitch: 9.1 mm  
Min stitch: 0.0 mm  
Max jump: 6.9 mm  
Total thread: 745.79ft  
Total bobbin: 280.20ft

Stop Sequence:

#	N#	Color	St.	Code	Name	Chart
1.	4		8,887	R176	G192 B209	
2.	5		1,318	R19	G79 B31	
3.	3		8,712	R217	G181 B145	
4.	2		1,880	R94	G59 B34	
5.	1		4,559	R255	G233 B201	
6.	8		15,940	8	Black	Default