

# Production Worksheet

Wilcom EmbroideryStudio - Designing



Design: **3**

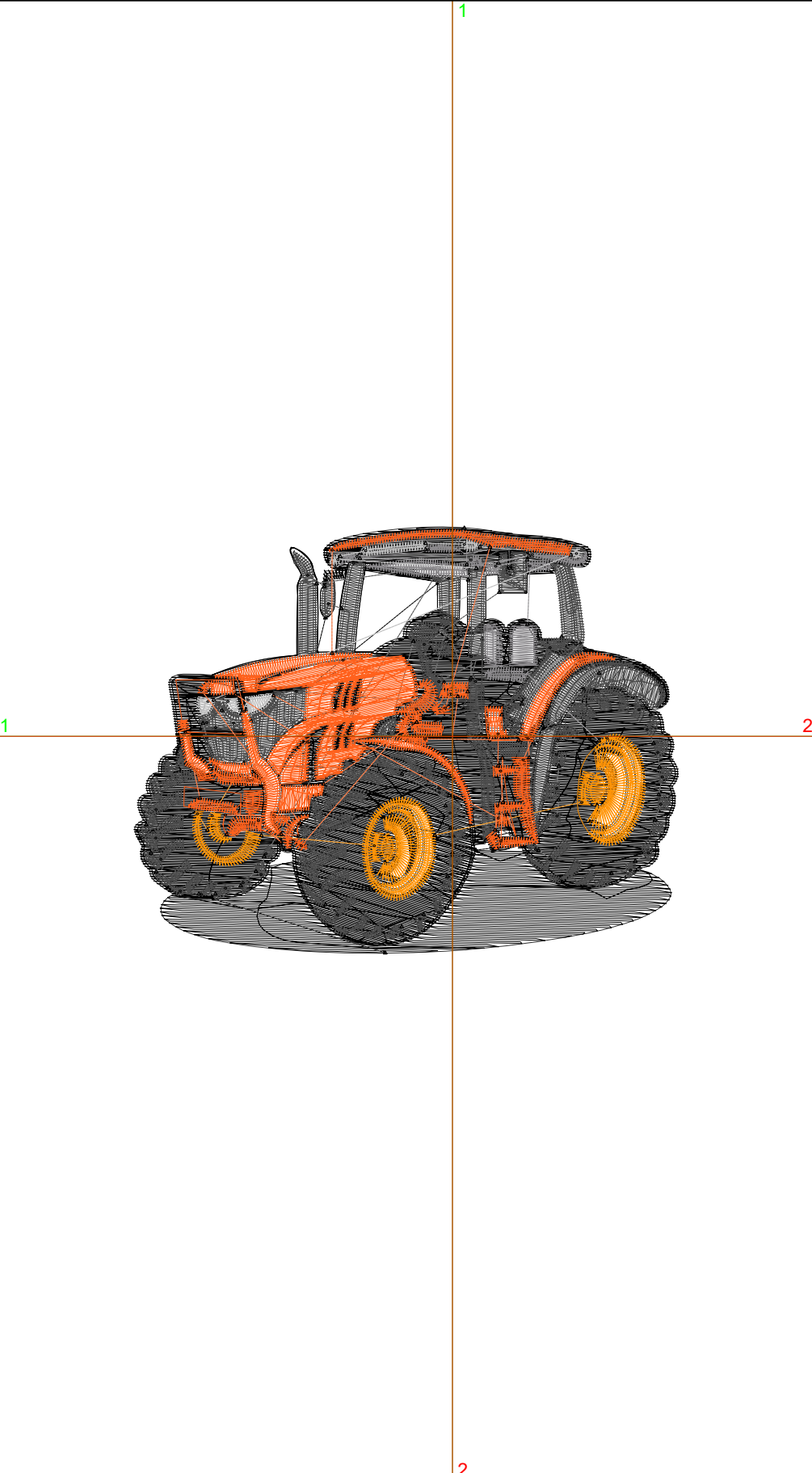
Title:

Stitches: 20,248  
 Height: 2.74 in  
 Width: 3.51 in  
 Colors: 6  
 Colorway: Colorway 1  
 Zoom: 1:1

Machine format: Tajima  
 Color changes: 5  
 Stops: 6  
 Trims: 121  
 Appliqués: 0  
 Left: 52.1 mm  
 Right: 37.0 mm  
 Up: 34.2 mm  
 Down: 35.4 mm  
 EndX: 0.00 in  
 EndY: 0.00 in  
 Area 9.62 in<sup>2</sup>  
 Max stitch: 12.1 mm  
 Min stitch: 0.0 mm  
 Max jump: 6.7 mm  
 Total thread: 309.85ft  
 Total bobbin: 103.72ft

Stop Sequence:

#	N#	Color	St.	Code	Name	Chart
1.	8		8,598	8	Black	Default
2.	1		5,683		R77 G77 B77	
3.	3		1,366		R255 G148 B7	
4.	4		647		R139 G137 B140	
5.	2		293		R191 G191 B191	
6.	5		3,659		R255 G97 B29	



# Production Worksheet

Wilcom EmbroideryStudio - Designing



Design: **4**

Title:

Stitches: 27,194  
 Height: 3.53 in  
 Width: 4.51 in  
 Colors: 6  
 Colorway: Colorway 1  
 Zoom: 1:1

Machine format: Tajima  
 Color changes: 5  
 Stops: 6  
 Trims: 135  
 Appliqués: 0  
 Left: 64.9 mm  
 Right: 49.7 mm  
 Up: 44.2 mm  
 Down: 45.4 mm  
 EndX: 0.00 in  
 EndY: 0.00 in  
 Area: 15.91 in<sup>2</sup>  
 Max stitch: 11.0 mm  
 Min stitch: 0.0 mm  
 Max jump: 7.0 mm  
 Total thread: 453.88ft  
 Total bobbin: 162.06ft

Stop Sequence:

#	N#	Color	St.	Code	Name	Chart
1.	8		12,662	8	Black	Default
2.	1		7,088		R77 G77 B77	
3.	3		1,716		R255 G148 B7	
4.	4		807		R139 G137 B140	
5.	2		357		R191 G191 B191	
6.	5		4,562		R255 G97 B29	



# Production Worksheet

Wilcom EmbroideryStudio - Designing



Design: **5**

Title:

Stitches: 35,056  
Height: 4.31 in  
Width: 5.51 in  
Colors: 6  
Colorway: Colorway 1  
Zoom: 1:1



# Production Worksheet

Wilcom EmbroideryStudio - Designing



Design: **5**

Title:

Stitches: 35,056  
 Height: 4.31 in  
 Width: 5.51 in  
 Colors: 6  
 Colorway: Colorway 1  
 Zoom: 1:1

Machine format: Tajima  
 Color changes: 5  
 Stops: 6  
 Trims: 141  
 Appliqués: 0  
 Left: 77.6 mm  
 Right: 62.4 mm  
 Up: 54.1 mm  
 Down: 55.4 mm  
 EndX: 0.00 in  
 EndY: 0.00 in  
 Area 23.77 in<sup>2</sup>  
 Max stitch: 10.0 mm  
 Min stitch: 0.0 mm  
 Max jump: 7.0 mm  
 Total thread: 628.30ft  
 Total bobbin: 234.85ft

Stop Sequence:

#	N#	Color	St.	Code	Name	Chart
1.	8		17,213	8	Black	Default
2.	1		8,482		R77 G77 B77	
3.	3		2,080		R255 G148 B7	
4.	4		992		R139 G137 B140	
5.	2		421		R191 G191 B191	
6.	5		5,866		R255 G97 B29	

# Production Worksheet

Wilcom EmbroideryStudio - Designing



Design: **6**

Title:

Stitches: 43,693  
Height: 5.10 in  
Width: 6.51 in  
Colors: 6  
Colorway: Colorway 1  
Zoom: 1:1



# Production Worksheet

Wilcom EmbroideryStudio - Designing



Design: **6**

Title:

Stitches: 43,693  
 Height: 5.10 in  
 Width: 6.51 in  
 Colors: 6  
 Colorway: Colorway 1  
 Zoom: 1:1

Machine format: Tajima  
 Color changes: 5  
 Stops: 6  
 Trims: 151  
 Appliqués: 0  
 Left: 90.3 mm  
 Right: 75.1 mm  
 Up: 64.1 mm  
 Down: 65.3 mm  
 EndX: 0.00 in  
 EndY: 0.00 in  
 Area 33.19 in<sup>2</sup>  
 Max stitch: 7.0 mm  
 Min stitch: 0.0 mm  
 Max jump: 7.0 mm  
 Total thread: 829.29ft  
 Total bobbin: 320.37ft

Stop Sequence:

#	N#	Color	St.	Code	Name	Chart
1.	8		22,446	8	Black	Default
2.	1		9,953		R77 G77 B77	
3.	3		2,468		R255 G148 B7	
4.	4		1,201		R139 G137 B140	
5.	2		482		R191 G191 B191	
6.	5		7,141		R255 G97 B29	

# Production Worksheet

Wilcom EmbroideryStudio - Designing



Design: **7**

Title:

Stitches: 53,214  
Height: 5.88 in  
Width: 7.51 in  
Colors: 6  
Colorway: Colorway 1  
Zoom: 1:1



# Production Worksheet

Wilcom EmbroideryStudio - Designing



Design: **7**

Title:

Stitches: 53,214  
 Height: 5.88 in  
 Width: 7.51 in  
 Colors: 6  
 Colorway: Colorway 1  
 Zoom: 1:1

Machine format: Tajima  
 Color changes: 5  
 Stops: 6  
 Trims: 157  
 Appliqués: 0  
 Left: 103.0 mm  
 Right: 87.8 mm  
 Up: 74.1 mm  
 Down: 75.3 mm  
 EndX: 0.00 in  
 EndY: 0.00 in  
 Area 44.17 in<sup>2</sup>  
 Max stitch: 11.6 mm  
 Min stitch: 0.0 mm  
 Max jump: 6.9 mm  
 Total thread: 1059.48ft  
 Total bobbin: 419.76ft

Stop Sequence:

#	N#	Color	St.	Code	Name	Chart
1.	8		28,410	8	Black	Default
2.	1		11,497		R77 G77 B77	
3.	3		2,912		R255 G148 B7	
4.	4		1,381		R139 G137 B140	
5.	2		538		R191 G191 B191	
6.	5		8,474		R255 G97 B29	