

# Production Worksheet

Wilcom EmbroideryStudio - Designing



Design: **3**

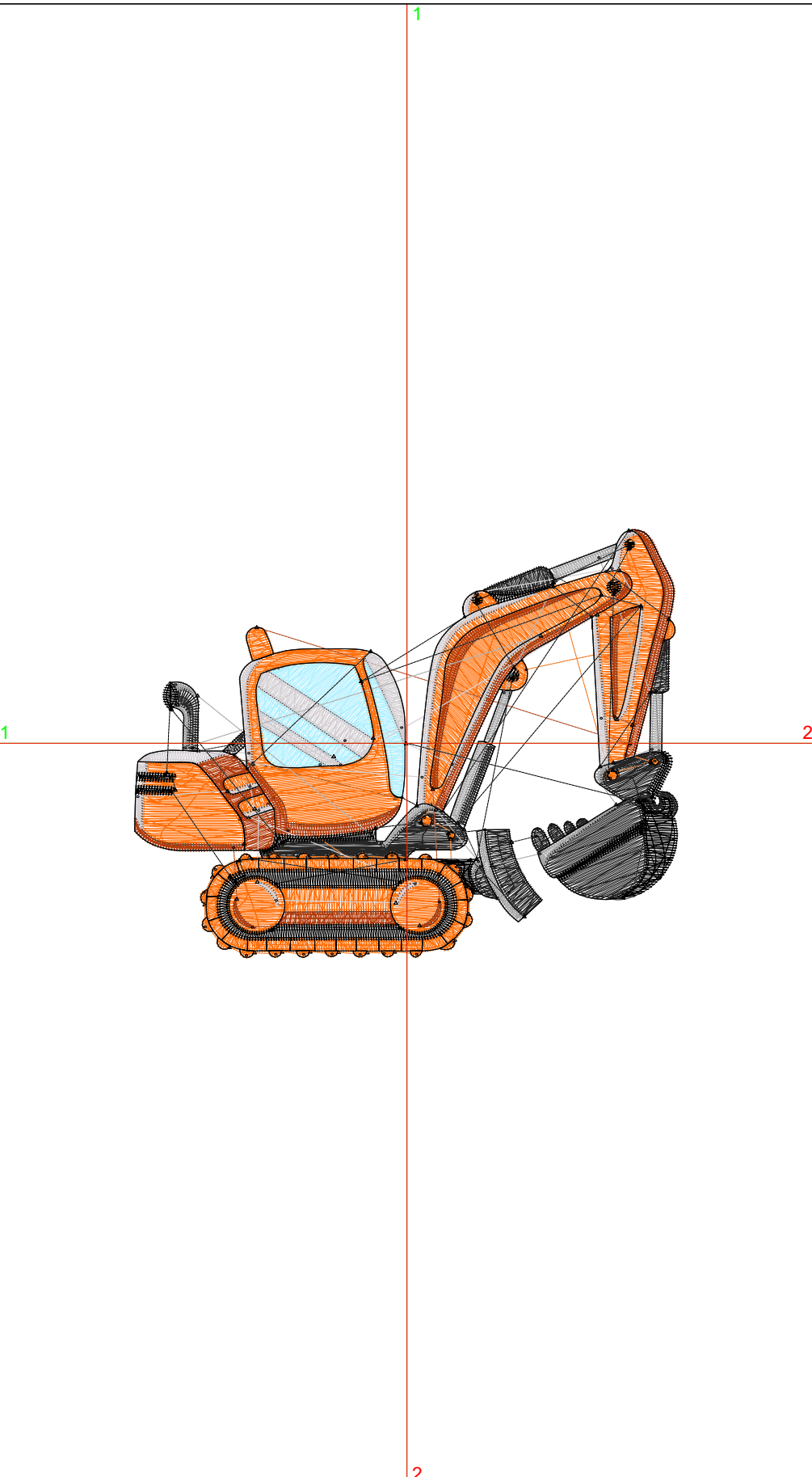
Title:

Stitches: 17,072  
 Height: 70.2 mm  
 Width: 89.1 mm  
 Colors: 7  
 Colorway: Colorway 1  
 Zoom: 1:1

Machine format: Tajima  
 Color changes: 6  
 Stops: 7  
 Trims: 102  
 Appliqués: 0  
 Left: 44.7 mm  
 Right: 44.4 mm  
 Up: 35.0 mm  
 Down: 35.2 mm  
 EndX: 0.0 mm  
 EndY: 0.0 mm  
 Area: 6259.2 mm<sup>2</sup>  
 Max stitch: 9.4 mm  
 Min stitch: 0.0 mm  
 Max jump: 7.0 mm  
 Total thread: 73.90m  
 Total bobbin: 23.14m

Stop Sequence:

#	N#	Color	St.	Code	Name	Chart
1.	6		1,015		R175 G240 B255	
2.	5		2,401		R38 G38 B38	
3.	4		5,942		R255 G112 B11	
4.	2		2,068		R179 G60 B13	
5.	3		2,034		R212 G207 B211	
6.	1		809		R166 G166 B166	
7.	8		2,801	8	Black	Default



# Production Worksheet

Wilcom EmbroideryStudio - Designing



Design: **4**

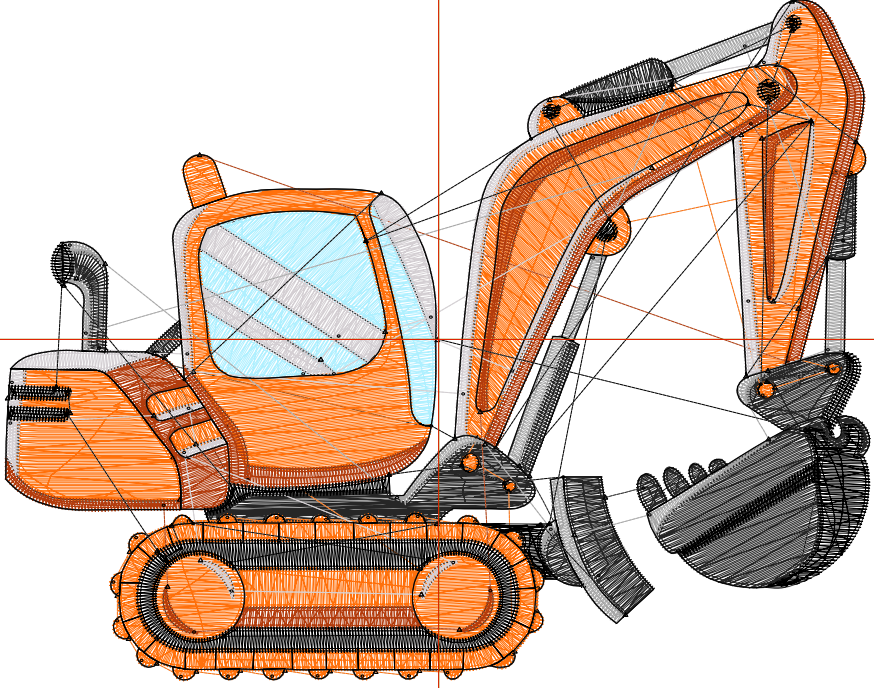
Title:

Stitches: 22,431  
 Height: 90.2 mm  
 Width: 114.5 mm  
 Colors: 7  
 Colorway: Colorway 1  
 Zoom: 1:1

Machine format: Tajima  
 Color changes: 6  
 Stops: 7  
 Trims: 108  
 Appliqués: 0  
 Left: 57.4 mm  
 Right: 57.1 mm  
 Up: 45.0 mm  
 Down: 45.2 mm  
 EndX: 0.0 mm  
 EndY: 0.0 mm  
 Area: 10330.2 mm<sup>2</sup>  
 Max stitch: 7.0 mm  
 Min stitch: 0.0 mm  
 Max jump: 7.0 mm  
 Total thread: 105.14m  
 Total bobbin: 35.31m

Stop Sequence:

#	N#	Color	St.	Code	Name	Chart
1.	6		1,373		R175 G240 B255	
2.	5		3,209		R38 G38 B38	
3.	4		8,056		R255 G112 B11	
4.	2		2,660		R179 G60 B13	
5.	3		2,578		R212 G207 B211	
6.	1		1,004		R166 G166 B166	
7.	8		3,549	8	Black	Default



# Production Worksheet

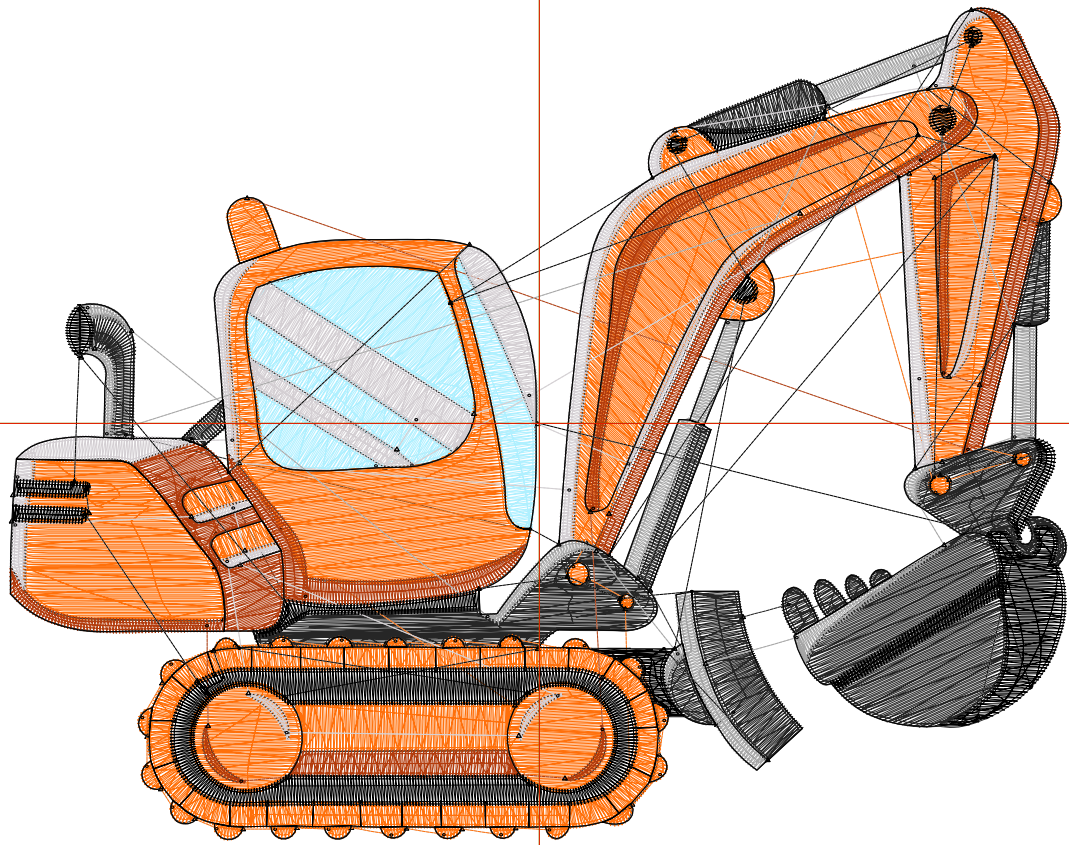
Wilcom EmbroideryStudio - Designing



Design: **5**

Title:

Stitches: 28,321  
Height: 110.2 mm  
Width: 139.9 mm  
Colors: 7  
Colorway: Colorway 1  
Zoom: 1:1



# Production Worksheet

Wilcom EmbroideryStudio - Designing



Design: **5**

Title:

Stitches: 28,321  
 Height: 110.2 mm  
 Width: 139.9 mm  
 Colors: 7  
 Colorway: Colorway 1  
 Zoom: 1:1

Machine format: Tajima  
 Color changes: 6  
 Stops: 7  
 Trims: 111  
 Appliqués: 0  
 Left: 70.1 mm  
 Right: 69.8 mm  
 Up: 55.0 mm  
 Down: 55.2 mm  
 EndX: 0.0 mm  
 EndY: 0.0 mm  
 Area 15413.3 mm<sup>2</sup>  
 Max stitch: 7.0 mm  
 Min stitch: 0.0 mm  
 Max jump: 7.0 mm  
 Total thread: 142.02m  
 Total bobbin: 50.18m

Stop Sequence:

#	N#	Color	St.	Code	Name	Chart
1.	6		1,782		R175 G240 B255	
2.	5		4,137		R38 G38 B38	
3.	4		10,487		R255 G112 B11	
4.	2		3,286		R179 G60 B13	
5.	3		3,173		R212 G207 B211	
6.	1		1,214		R166 G166 B166	
7.	8		4,240	8	Black	Default

# Production Worksheet

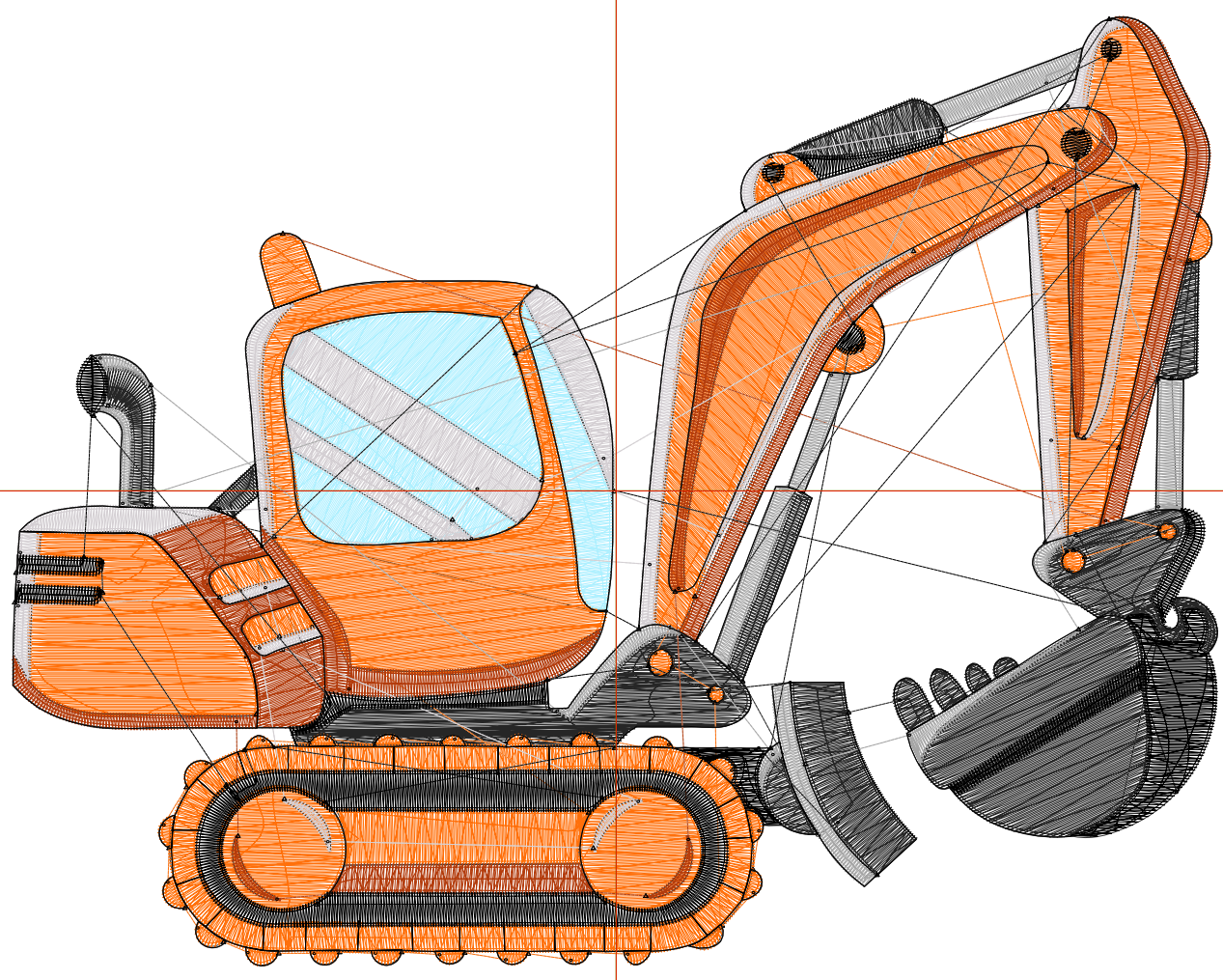
Wilcom EmbroideryStudio - Designing



Design: **6**

Title:

Stitches: 34,699  
Height: 130.2 mm  
Width: 165.2 mm  
Colors: 7  
Colorway: Colorway 1  
Zoom: 1:1



# Production Worksheet

Wilcom EmbroideryStudio - Designing



Design: **6**

Title:

Stitches: 34,699  
 Height: 130.2 mm  
 Width: 165.2 mm  
 Colors: 7  
 Colorway: Colorway 1  
 Zoom: 1:1

Machine format: Tajima  
 Color changes: 6  
 Stops: 7  
 Trims: 112  
 Appliqués: 0  
 Left: 82.7 mm  
 Right: 82.5 mm  
 Up: 65.0 mm  
 Down: 65.2 mm  
 EndX: 0.0 mm  
 EndY: 0.0 mm  
 Area 21509.0 mm<sup>2</sup>  
 Max stitch: 8.7 mm  
 Min stitch: 0.0 mm  
 Max jump: 7.0 mm  
 Total thread: 184.29m  
 Total bobbin: 67.67m

Stop Sequence:

#	N#	Color	St.	Code	Name	Chart
1.	6		2,281		R175 G240 B255	
2.	5		5,069		R38 G38 B38	
3.	4		13,239		R255 G112 B11	
4.	2		3,936		R179 G60 B13	
5.	3		3,819		R212 G207 B211	
6.	1		1,425		R166 G166 B166	
7.	8		4,928	8	Black	Default

# Production Worksheet

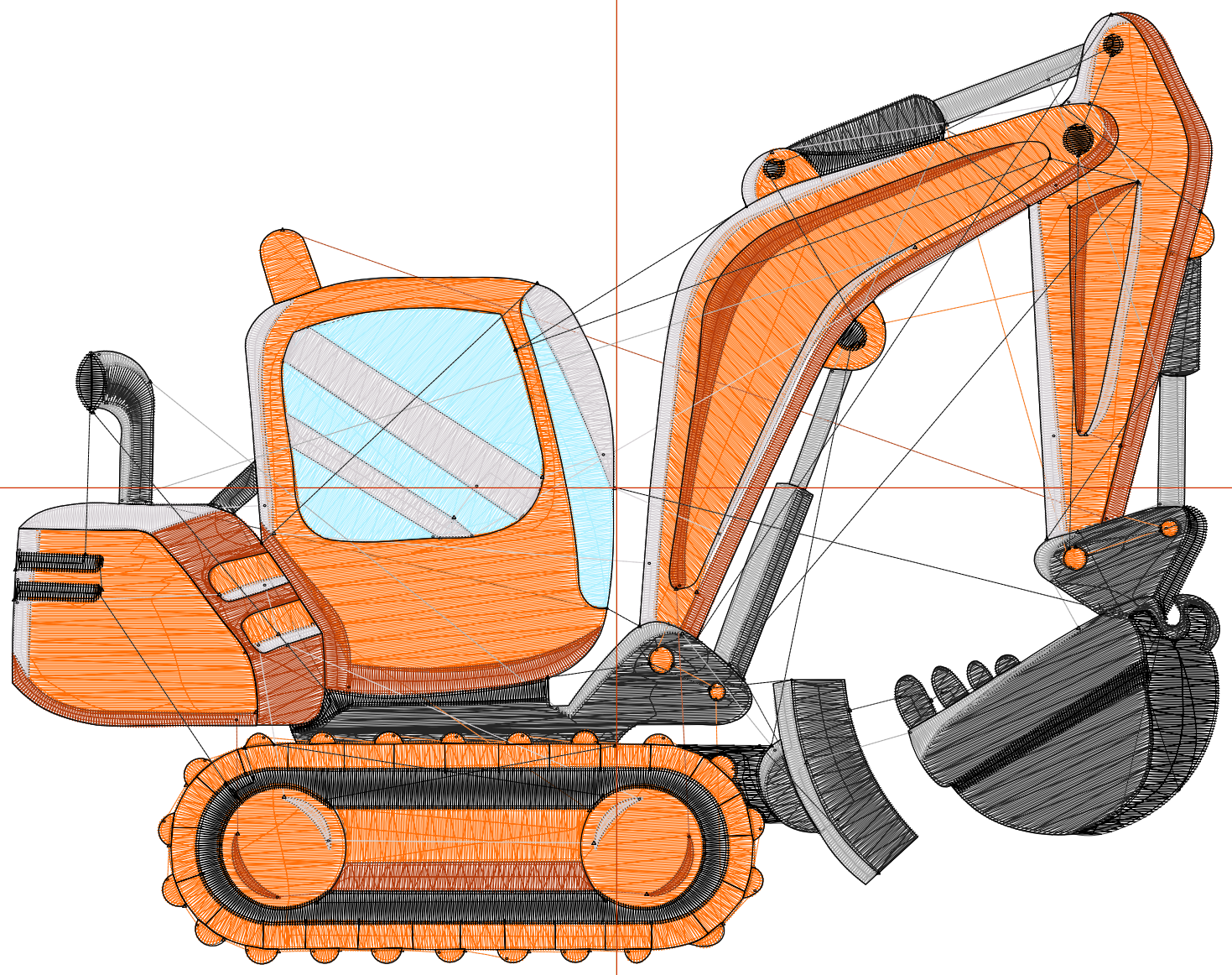
Wilcom EmbroideryStudio - Designing



Design: **7**

Title:

Stitches: 41,850  
Height: 150.1 mm  
Width: 190.6 mm  
Colors: 7  
Colorway: Colorway 1  
Zoom: 1:1



# Production Worksheet

Wilcom EmbroideryStudio - Designing



Design: **7**

Title:

Stitches: 41,850  
 Height: 150.1 mm  
 Width: 190.6 mm  
 Colors: 7  
 Colorway: Colorway 1  
 Zoom: 1:1

Machine format: Tajima  
 Color changes: 6  
 Stops: 7  
 Trims: 113  
 Appliqués: 0  
 Left: 95.4 mm  
 Right: 95.2 mm  
 Up: 75.0 mm  
 Down: 75.1 mm  
 EndX: 0.0 mm  
 EndY: 0.0 mm  
 Area: 28616.1 mm<sup>2</sup>  
 Max stitch: 12.1 mm  
 Min stitch: 0.0 mm  
 Max jump: 7.0 mm  
 Total thread: 233.06m  
 Total bobbin: 88.09m

Stop Sequence:

#	N#	Color	St.	Code	Name	Chart
1.	6		2,833		R175 G240 B255	
2.	5		6,207		R38 G38 B38	
3.	4		16,349		R255 G112 B11	
4.	2		4,658		R179 G60 B13	
5.	3		4,479		R212 G207 B211	
6.	1		1,647		R166 G166 B166	
7.	8		5,675	8	Black	Default