

Production Worksheet

Wilcom EmbroideryStudio - Designing



Design: **3**

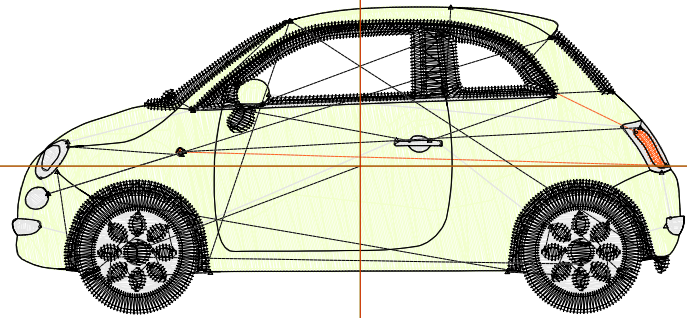
Title:

Stitches: 10,322
Height: 40.8 mm
Width: 89.0 mm
Colors: 4
Colorway: Colorway 1
Zoom: 1:1

Machine format: Tajima
Color changes: 3
Stops: 4
Trims: 48
Appliqués: 0
Left: 46.0 mm
Right: 43.0 mm
Up: 21.2 mm
Down: 19.6 mm
EndX: 0.0 mm
EndY: 0.0 mm
Area: 3633.2 mm²
Max stitch: 11.7 mm
Min stitch: 0.0 mm
Max jump: 7.0 mm
Total thread: 47.00m
Total bobbin: 15.38m

Stop Sequence:

#	N#	Color	St.	Code	Name	Chart
1.	3		3,984		R242 G255 B205	
2.	2		2,273		R230 G230 B230	
3.	1		73		R255 G99 B33	
4.	8		3,990	8	Black	Default



Production Worksheet

Wilcom EmbroideryStudio - Designing



Design: **4**

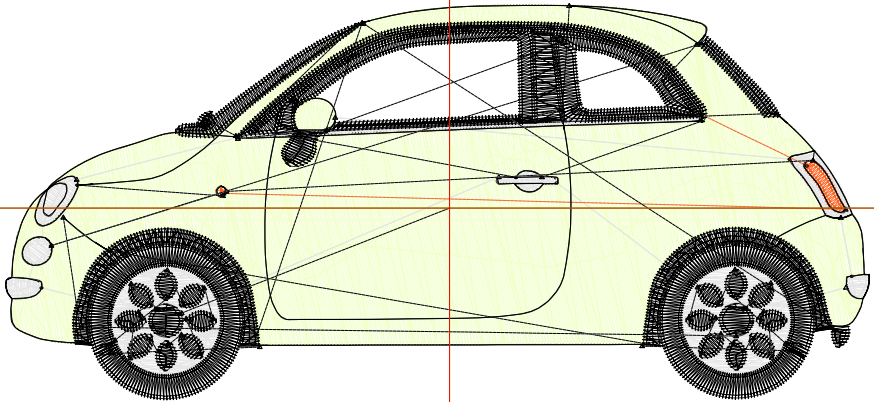
Title:

Stitches: 13,856
 Height: 52.4 mm
 Width: 114.4 mm
 Colors: 4
 Colorway: Colorway 1
 Zoom: 1:1

Machine format: Tajima
 Color changes: 3
 Stops: 4
 Trims: 51
 Appliqués: 0
 Left: 58.7 mm
 Right: 55.6 mm
 Up: 27.0 mm
 Down: 25.4 mm
 EndX: 0.0 mm
 EndY: 0.0 mm
 Area: 5990.6 mm²
 Max stitch: 7.3 mm
 Min stitch: 0.0 mm
 Max jump: 6.9 mm
 Total thread: 68.22m
 Total bobbin: 23.77m

Stop Sequence:

#	N#	Color	St.	Code	Name	Chart
1.	3		5,820		R242 G255 B205	
2.	2		2,916		R230 G230 B230	
3.	1		101		R255 G99 B33	
4.	8		5,017	8	Black	Default



Production Worksheet

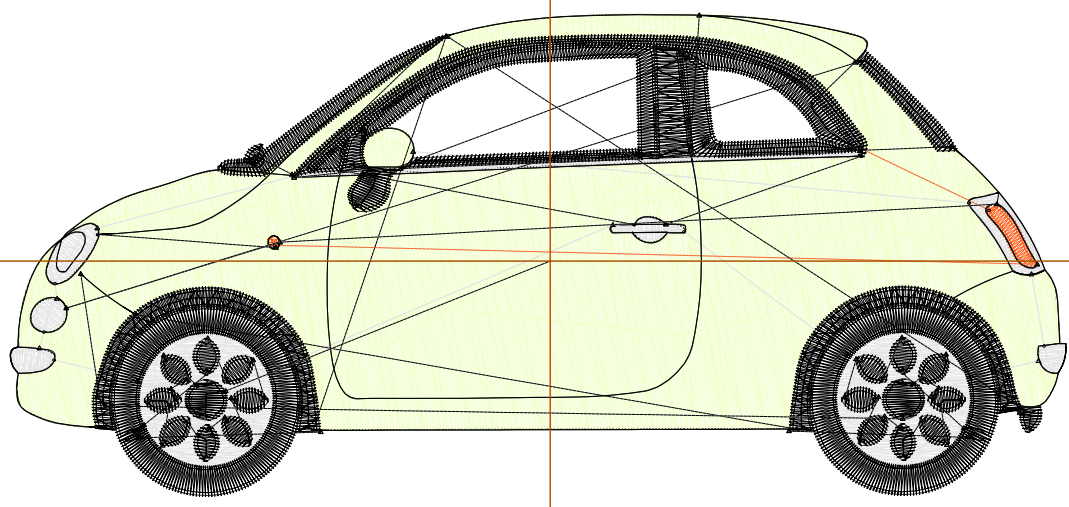
Wilcom EmbroideryStudio - Designing



Design: **5**

Title:

Stitches: 17,709
Height: 64.0 mm
Width: 139.8 mm
Colors: 4
Colorway: Colorway 1
Zoom: 1:1



Production Worksheet

Wilcom EmbroideryStudio - Designing



Design: **5**

Title:

Stitches: 17,709
 Height: 64.0 mm
 Width: 139.8 mm
 Colors: 4
 Colorway: Colorway 1
 Zoom: 1:1

Machine format: Tajima
 Color changes: 3
 Stops: 4
 Trims: 54
 Appliqués: 0
 Left: 71.4 mm
 Right: 68.3 mm
 Up: 32.8 mm
 Down: 31.2 mm
 EndX: 0.0 mm
 EndY: 0.0 mm
 Area 8937.4 mm²
 Max stitch: 8.7 mm
 Min stitch: 0.0 mm
 Max jump: 6.9 mm
 Total thread: 93.49m
 Total bobbin: 34.17m

Stop Sequence:

#	N#	Color	St.	Code	Name	Chart
1.	3		7,990		R242 G255 B205	
2.	2		3,536		R230 G230 B230	
3.	1		116		R255 G99 B33	
4.	8		6,065	8	Black	Default

Production Worksheet

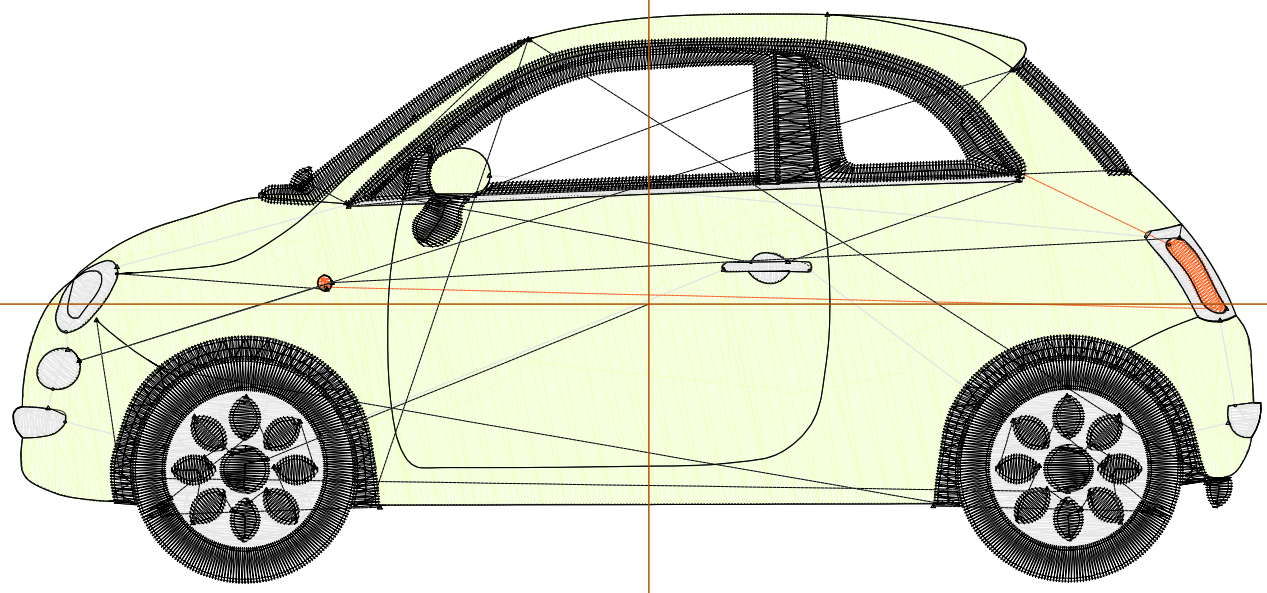
Wilcom EmbroideryStudio - Designing



Design: **6**

Title:

Stitches: 22,050
Height: 75.5 mm
Width: 165.2 mm
Colors: 4
Colorway: Colorway 1
Zoom: 1:1



Production Worksheet

Wilcom EmbroideryStudio - Designing



Design: **6**

Title:

Stitches: 22,050
 Height: 75.5 mm
 Width: 165.2 mm
 Colors: 4
 Colorway: Colorway 1
 Zoom: 1:1

Machine format: Tajima
 Color changes: 3
 Stops: 4
 Trims: 56
 Appliqués: 0
 Left: 84.1 mm
 Right: 81.1 mm
 Up: 38.6 mm
 Down: 36.9 mm
 EndX: 0.0 mm
 EndY: 0.0 mm
 Area 12473.3 mm²
 Max stitch: 6.9 mm
 Min stitch: 0.0 mm
 Max jump: 6.9 mm
 Total thread: 122.89m
 Total bobbin: 46.45m

Stop Sequence:

#	N#	Color	St.	Code	Name	Chart
1.	3		10,492		R242 G255 B205	
2.	2		4,279		R230 G230 B230	
3.	1		139		R255 G99 B33	
4.	8		7,138	8	Black	Default