

# Production Worksheet

Wilcom EmbroideryStudio - Designing



Design: **3**

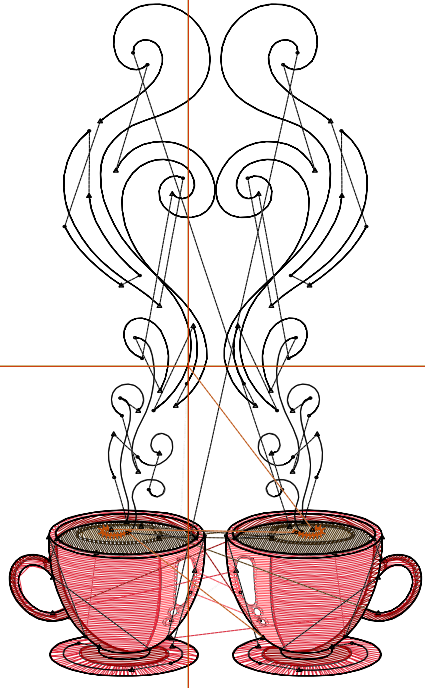
Title:

Stitches: 6,543  
Height: 3.50 in  
Width: 2.14 in  
Colors: 8  
Colorway: Colorway 1  
Zoom: 1:1

Machine format: Tajima  
Color changes: 7  
Stops: 8  
Trims: 62  
Appliqués: 0  
Left: 23.6 mm  
Right: 30.8 mm  
Up: 47.9 mm  
Down: 41.0 mm  
EndX: 0.00 in  
EndY: 0.00 in  
Area 7.50 in<sup>2</sup>  
Max stitch: 9.1 mm  
Min stitch: 0.0 mm  
Max jump: 7.0 mm  
Total thread: 82.01ft  
Total bobbin: 21.60ft

Stop Sequence:

#	N#	Color	St.	Code	Name	Chart
1.	9		221	9	White	Default
2.	6		506		R255 G86 B97	
3.	2		1,524		R224 G40 B59	
4.	11		737	11	Dark Red	Default
5.	5		248		R77 G50 B8	
6.	4		490		R46 G29 B8	
7.	8		2,704	8	Black	Default
8.	1		111		R194 G79 B8	



# Production Worksheet

Wilcom EmbroideryStudio - Designing



Design: **4**

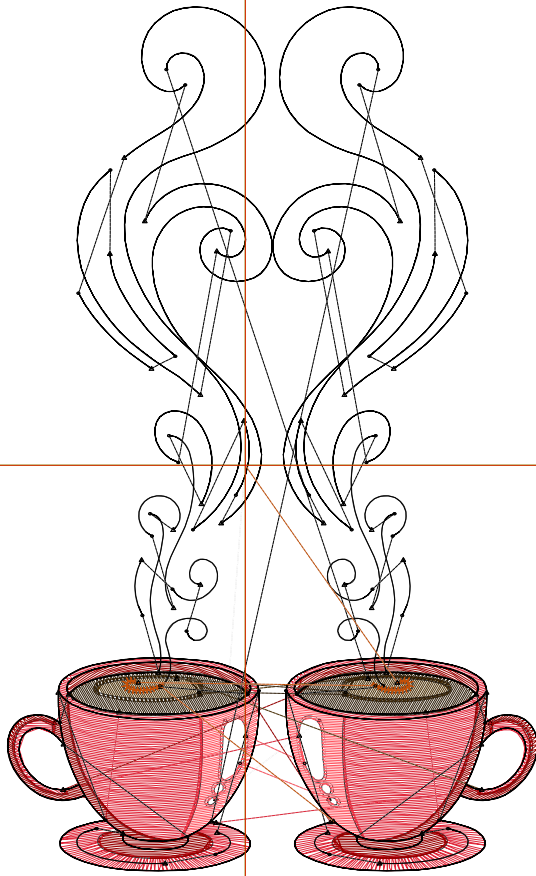
Title:

Stitches: 8,556  
 Height: 4.50 in  
 Width: 2.76 in  
 Colors: 8  
 Colorway: Colorway 1  
 Zoom: 1:1

Machine format: Tajima  
 Color changes: 7  
 Stops: 8  
 Trims: 62  
 Appliqués: 0  
 Left: 31.4 mm  
 Right: 38.7 mm  
 Up: 60.6 mm  
 Down: 53.6 mm  
 EndX: 0.00 in  
 EndY: 0.00 in  
 Area 12.41 in<sup>2</sup>  
 Max stitch: 11.7 mm  
 Min stitch: 0.0 mm  
 Max jump: 7.0 mm  
 Total thread: 111.31ft  
 Total bobbin: 31.14ft

Stop Sequence:

#	N#	Color	St.	Code	Name	Chart
1.	9		312	9	White	Default
2.	6		711		R255 G86 B97	
3.	2		2,162		R224 G40 B59	
4.	11		1,008	11	Dark Red	Default
5.	5		336		R77 G50 B8	
6.	4		691		R46 G29 B8	
7.	8		3,202	8	Black	Default
8.	1		132		R194 G79 B8	



# Production Worksheet

Wilcom EmbroideryStudio - Designing



Design: **5**

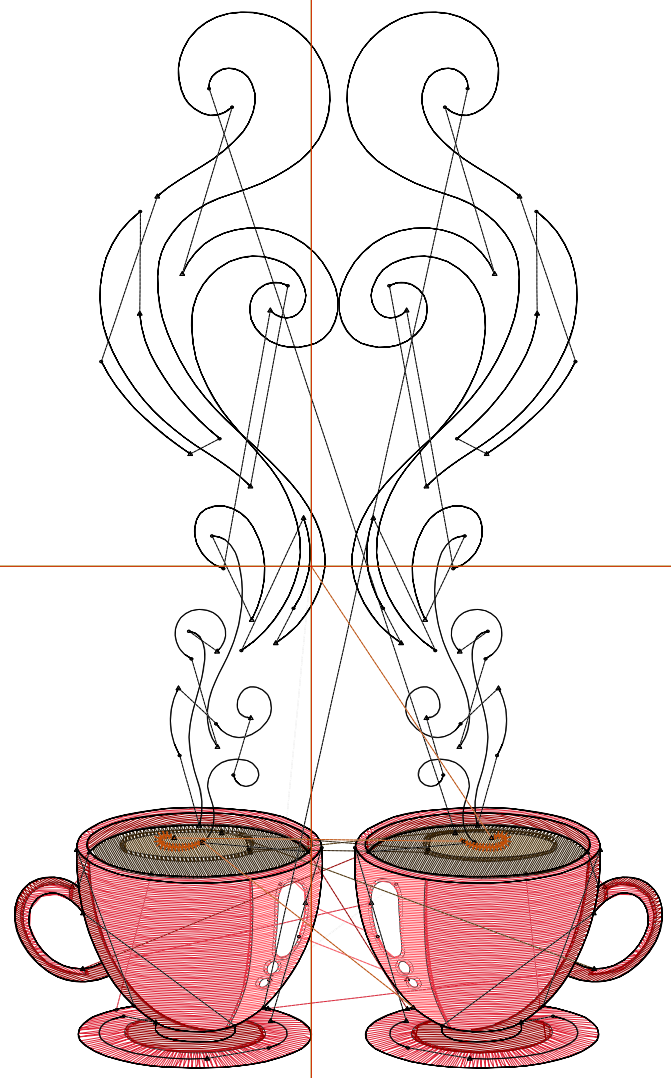
Title:

Stitches: 10,554  
 Height: 5.50 in  
 Width: 3.37 in  
 Colors: 8  
 Colorway: Colorway 1  
 Zoom: 1:1

Machine format: Tajima  
 Color changes: 7  
 Stops: 8  
 Trims: 62  
 Appliqués: 0  
 Left: 39.2 mm  
 Right: 46.5 mm  
 Up: 73.3 mm  
 Down: 66.4 mm  
 EndX: 0.00 in  
 EndY: 0.00 in  
 Area: 18.55 in<sup>2</sup>  
 Max stitch: 7.0 mm  
 Min stitch: 0.0 mm  
 Max jump: 7.0 mm  
 Total thread: 142.81ft  
 Total bobbin: 42.03ft

Stop Sequence:

#	N#	Color	St.	Code	Name	Chart
1.	9		407	9	White	Default
2.	6		930		R255 G86 B97	
3.	2		2,823		R224 G40 B59	
4.	11		1,316	11	Dark Red	Default
5.	5		432		R77 G50 B8	
6.	4		894		R46 G29 B8	
7.	8		3,596	8	Black	Default
8.	1		154		R194 G79 B8	



# Production Worksheet

Wilcom EmbroideryStudio - Designing



Design: **6**

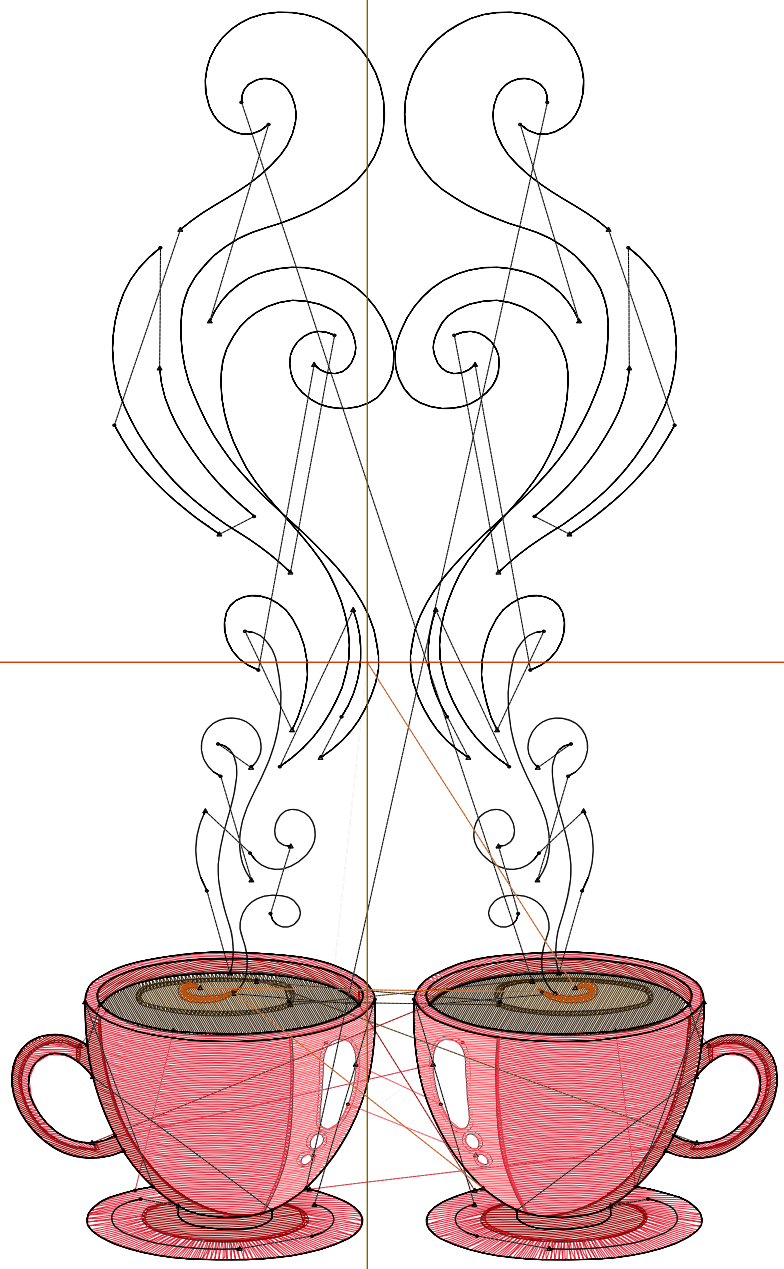
Title:

Stitches: 13,008  
Height: 6.50 in  
Width: 3.99 in  
Colors: 8  
Colorway: Colorway 1  
Zoom: 1:1

Machine format: Tajima  
Color changes: 7  
Stops: 8  
Trims: 64  
Appliqués: 0  
Left: 47.0 mm  
Right: 54.3 mm  
Up: 86.0 mm  
Down: 79.1 mm  
EndX: 0.00 in  
EndY: 0.00 in  
Area: 25.90 in<sup>2</sup>  
Max stitch: 6.9 mm  
Min stitch: 0.0 mm  
Max jump: 6.9 mm  
Total thread: 181.34ft  
Total bobbin: 55.33ft

Stop Sequence:

#	N#	Color	St.	Code	Name	Chart
1.	9		502	9	White	Default
2.	6		1,142		R255 G86 B97	
3.	2		3,763		R224 G40 B59	
4.	11		1,689	11	Dark Red	Default
5.	5		543		R77 G50 B8	
6.	4		1,123		R46 G29 B8	
7.	8		4,067	8	Black	Default
8.	1		177		R194 G79 B8	



# Production Worksheet

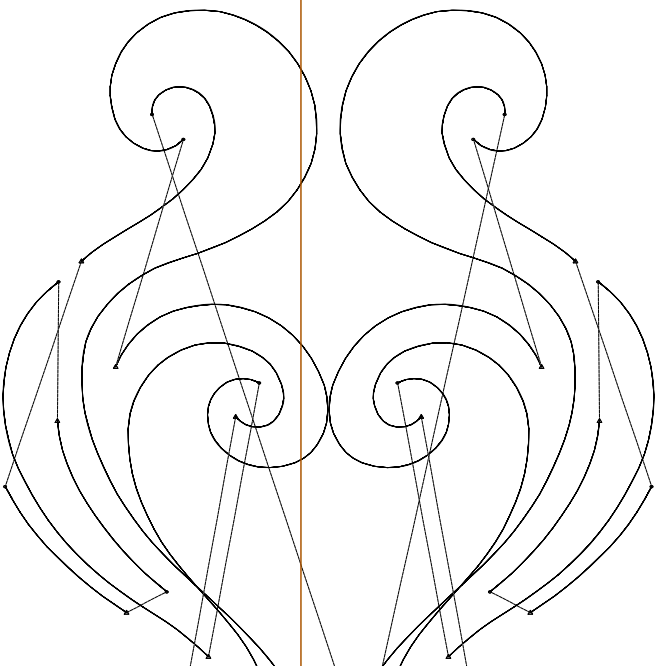
Wilcom EmbroideryStudio - Designing



Design: **7**

Title:

Stitches: 15,531  
 Height: 7.50 in  
 Width: 4.60 in  
 Colors: 8  
 Colorway: Colorway 1  
 Zoom: 1:1



Machine format: Tajima  
 Color changes: 7  
 Stops: 8  
 Trims: 64  
 Appliqués: 0  
 Left: 54.8 mm  
 Right: 62.0 mm  
 Up: 98.7 mm  
 Down: 91.8 mm  
 EndX: 0.00 in  
 EndY: 0.00 in  
 Area: 34.49 in<sup>2</sup>  
 Max stitch: 6.9 mm  
 Min stitch: 0.0 mm  
 Max jump: 6.9 mm  
 Total thread: 222.65ft  
 Total bobbin: 69.99ft

Stop Sequence:

#	N#	Color	St.	Code	Name	Chart
1.	9		629	9	White	Default
2.	6		1,397		R255 G86 B97	
3.	2		4,707		R224 G40 B59	
4.	11		2,097	11	Dark Red	Default
5.	5		649		R77 G50 B8	
6.	4		1,365		R46 G29 B8	
7.	8		4,485	8	Black	Default
8.	1		200		R194 G79 B8	