

Production Worksheet

Wilcom EmbroideryStudio - Designing



Design: **3**

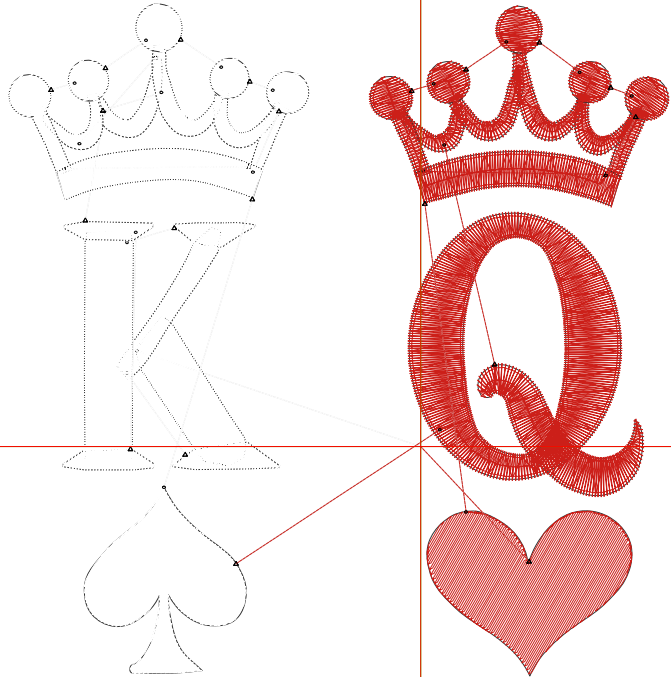
Title:

Stitches: 5,863
 Height: 3.49 in
 Width: 3.44 in
 Colors: 2
 Colorway: Colorway 1
 Zoom: 1:1

Machine format: Tajima
 Color changes: 1
 Stops: 2
 Trims: 23
 Appliqués: 0
 Left: 54.6 mm
 Right: 32.9 mm
 Up: 58.6 mm
 Down: 30.0 mm
 EndX: 0.00 in
 EndY: 0.00 in
 Area: 12.02 in²
 Max stitch: 7.6 mm
 Min stitch: 0.0 mm
 Max jump: 6.8 mm
 Total thread: 117.28ft
 Total bobbin: 46.31ft

Stop Sequence:

#	N#	Color	St.	Code	Name	Chart
1.	9		2,944	9	White	Default
2.	2		2,917		R204 G31 B25	



Production Worksheet

Wilcom EmbroideryStudio - Designing



Design: **4**

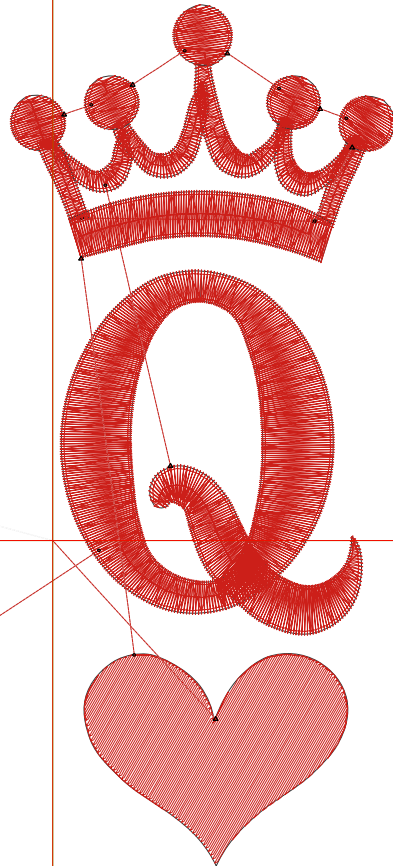
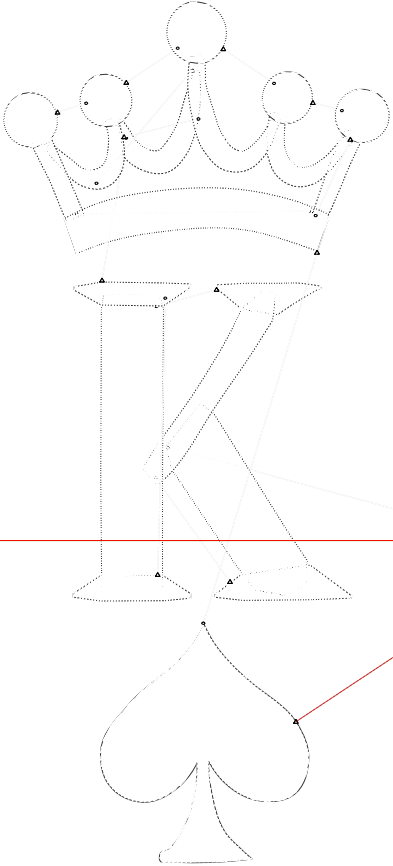
Title:

Stitches: 7,870
 Height: 4.48 in
 Width: 4.43 in
 Colors: 2
 Colorway: Colorway 1
 Zoom: 1:1

Machine format: Tajima
 Color changes: 1
 Stops: 2
 Trims: 23
 Appliqués: 0
 Left: 67.1 mm
 Right: 45.3 mm
 Up: 71.3 mm
 Down: 42.6 mm
 EndX: 0.00 in
 EndY: 0.00 in
 Area: 19.84 in²
 Max stitch: 9.7 mm
 Min stitch: 0.0 mm
 Max jump: 6.9 mm
 Total thread: 180.52ft
 Total bobbin: 75.99ft

Stop Sequence:

#	N#	Color	St.	Code	Name	Chart
1.	9		3,885	9	White	Default
2.	2		3,983	R204	G31 B25	



1

2

2

Production Worksheet

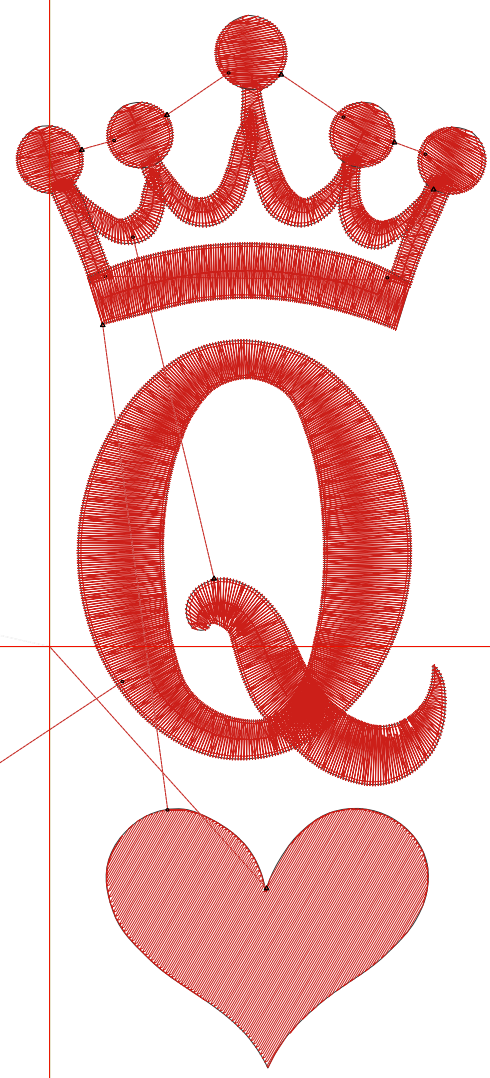
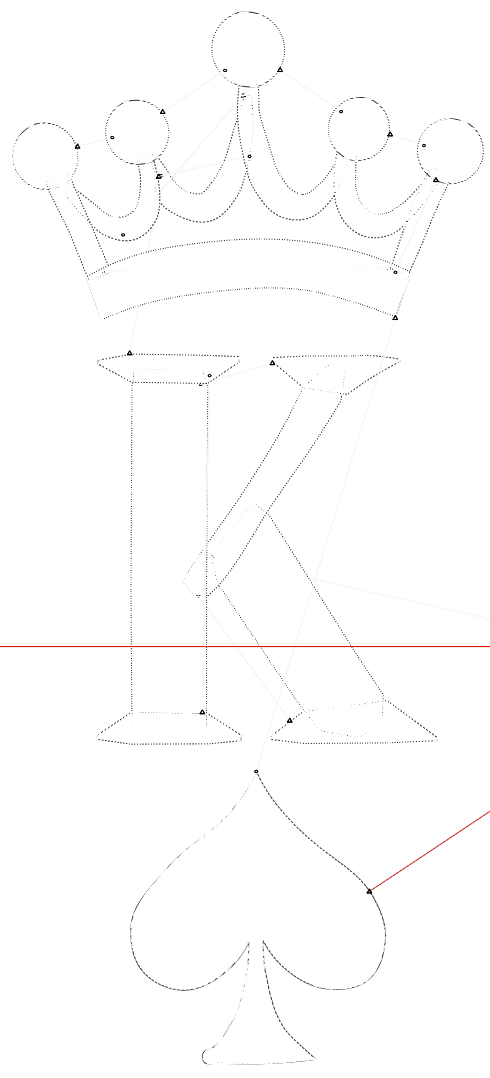
Wilcom EmbroideryStudio - Designing



Design: **5**

Title:

Stitches: 9,973
Height: 5.50 in
Width: 5.41 in
Colors: 2
Colorway: Colorway 1
Zoom: 1:1



1

1

2

2

Production Worksheet

Wilcom EmbroideryStudio - Designing



Design: **5**

Title:

Stitches: 9,973
 Height: 5.50 in
 Width: 5.41 in
 Colors: 2
 Colorway: Colorway 1
 Zoom: 1:1

Machine format: Tajima
 Color changes: 1
 Stops: 2
 Trims: 23
 Appliqués: 0
 Left: 79.5 mm
 Right: 57.8 mm
 Up: 84.0 mm
 Down: 55.7 mm
 EndX: 0.00 in
 EndY: 0.00 in
 Area 29.73 in²
 Max stitch: 11.7 mm
 Min stitch: 0.0 mm
 Max jump: 7.0 mm
 Total thread: 256.00ft
 Total bobbin: 112.54ft

Stop Sequence:

#	N#	Color	St.	Code	Name	Chart
1.	9		4,872	9	White	Default
2.	2		5,099		R204 G31 B25	

Production Worksheet

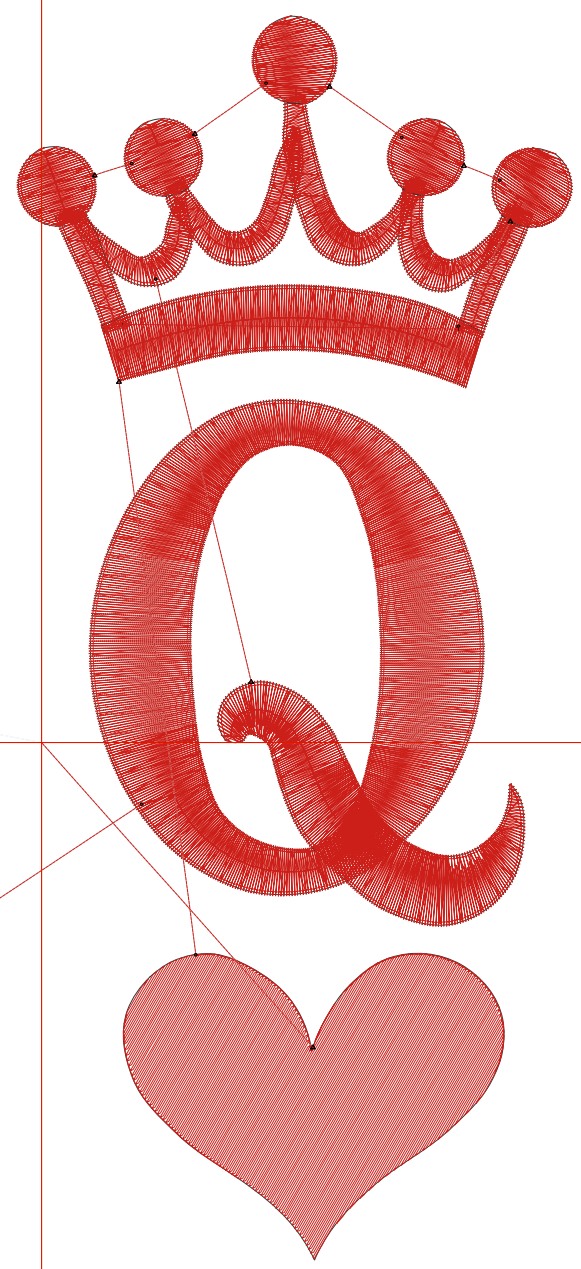
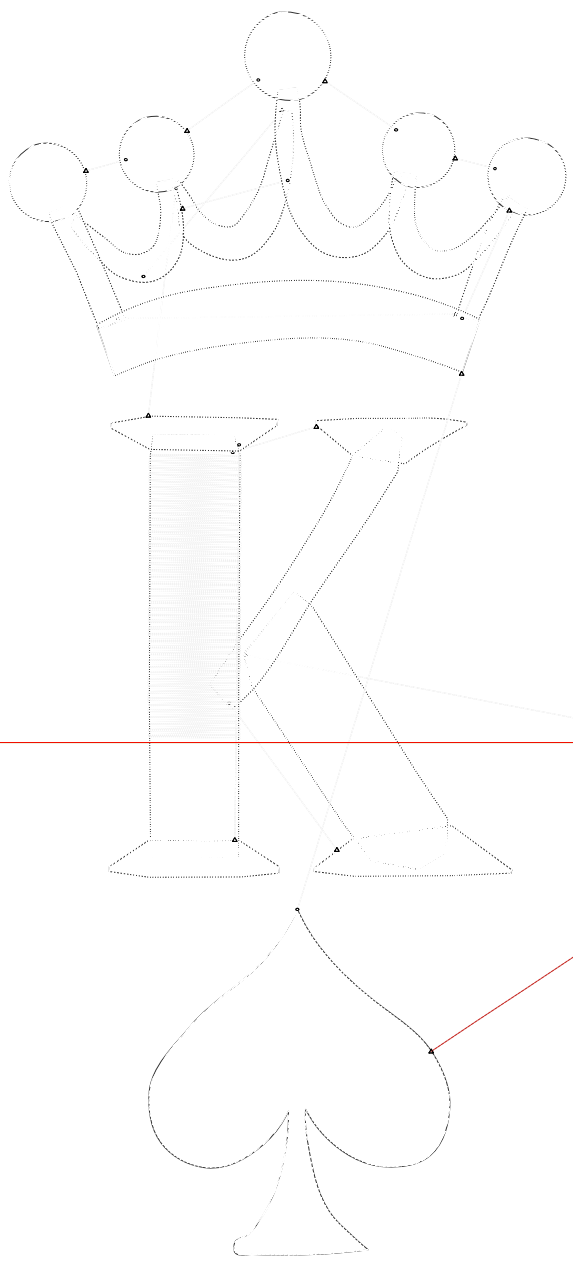
Wilcom EmbroideryStudio - Designing



Design: **6**

Title:

Stitches: 12,827
Height: 6.50 in
Width: 6.39 in
Colors: 2
Colorway: Colorway 1
Zoom: 1:1



Production Worksheet

Wilcom EmbroideryStudio - Designing



Design: **6**

Title:

Stitches: 12,827
Height: 6.50 in
Width: 6.39 in
Colors: 2
Colorway: Colorway 1
Zoom: 1:1

Machine format: Tajima
Color changes: 1
Stops: 2
Trims: 23
Appliqués: 0
Left: 92.0 mm
Right: 70.2 mm
Up: 96.7 mm
Down: 68.3 mm
EndX: 0.00 in
EndY: 0.00 in
Area 41.48 in²
Max stitch: 12.1 mm
Min stitch: 0.0 mm
Max jump: 6.9 mm
Total thread: 348.08ft
Total bobbin: 156.00ft

Stop Sequence:

#	N#	Color	St.	Code	Name	Chart
1.	9		6,234	9	White	Default
2.	2		6,591		R204 G31 B25	

Production Worksheet

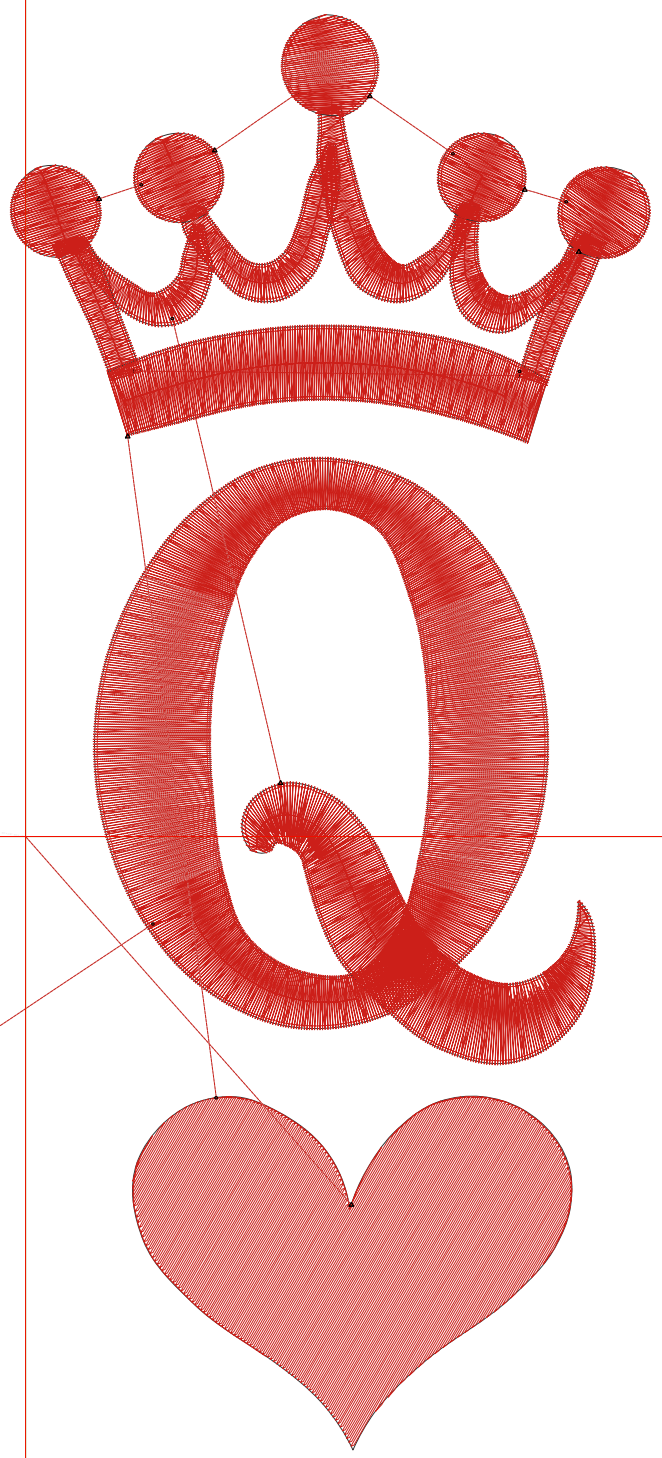
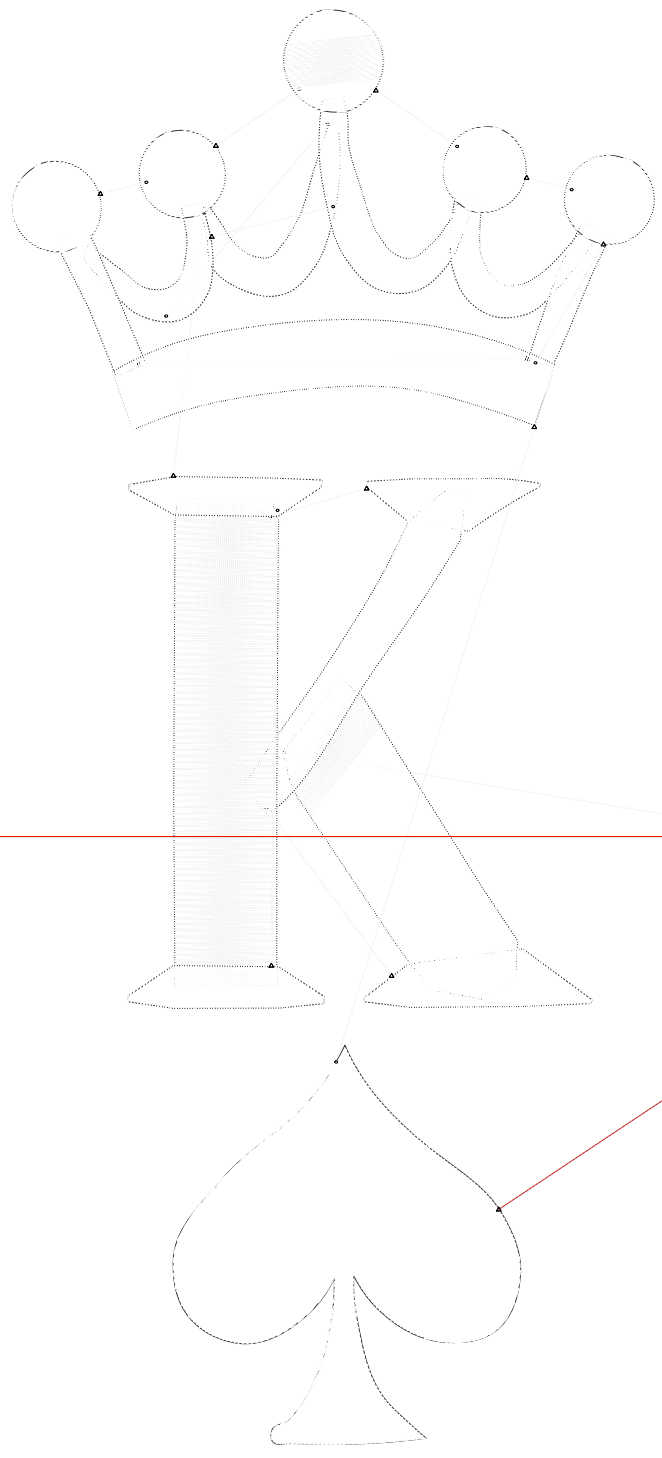
Wilcom EmbroideryStudio - Designing



Design: **7**

Title:

Stitches: 16,171
Height: 7.48 in
Width: 7.37 in
Colors: 2
Colorway: Colorway 1
Zoom: 1:1



Production Worksheet

Wilcom EmbroideryStudio - Designing



Design: **7**

Title:

Stitches: 16,171
 Height: 7.48 in
 Width: 7.37 in
 Colors: 2
 Colorway: Colorway 1
 Zoom: 1:1

Machine format: Tajima
 Color changes: 1
 Stops: 2
 Trims: 23
 Appliqués: 0
 Left: 104.4 mm
 Right: 82.7 mm
 Up: 109.4 mm
 Down: 80.6 mm
 EndX: 0.00 in
 EndY: 0.00 in
 Area 55.11 in²
 Max stitch: 12.1 mm
 Min stitch: 0.1 mm
 Max jump: 7.0 mm
 Total thread: 455.76ft
 Total bobbin: 206.81ft

Stop Sequence:

#	N#	Color	St.	Code	Name	Chart
1.	9		7,711	9	White	Default
2.	2		8,458		R204 G31 B25	