

Production Worksheet

Wilcom EmbroideryStudio - Designing



Design: **3**

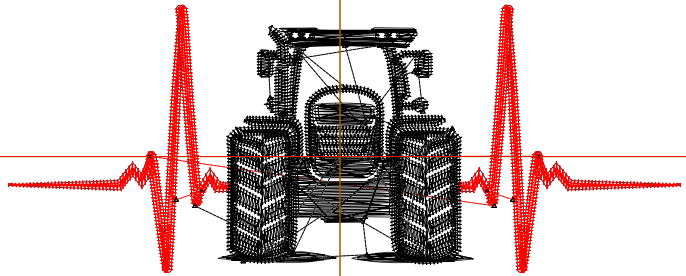
Title:

Stitches: 4,872
 Height: 1.39 in
 Width: 3.50 in
 Colors: 2
 Colorway: Colorway 1
 Zoom: 1:1

Machine format: Tajima
 Color changes: 1
 Stops: 2
 Trims: 28
 Appliqués: 0
 Left: 43.9 mm
 Right: 45.0 mm
 Up: 20.0 mm
 Down: 15.3 mm
 EndX: 0.00 in
 EndY: 0.00 in
 Area 4.87 in²
 Max stitch: 6.8 mm
 Min stitch: 0.0 mm
 Max jump: 6.8 mm
 Total thread: 65.27ft
 Total bobbin: 19.34ft

Stop Sequence:

#	N#	Color	St.	Code	Name	Chart
1.	3	█	1,384	3	Red	Default
2.	8	█	3,486	8	Black	Default



Production Worksheet

Wilcom EmbroideryStudio - Designing



Design: **4**

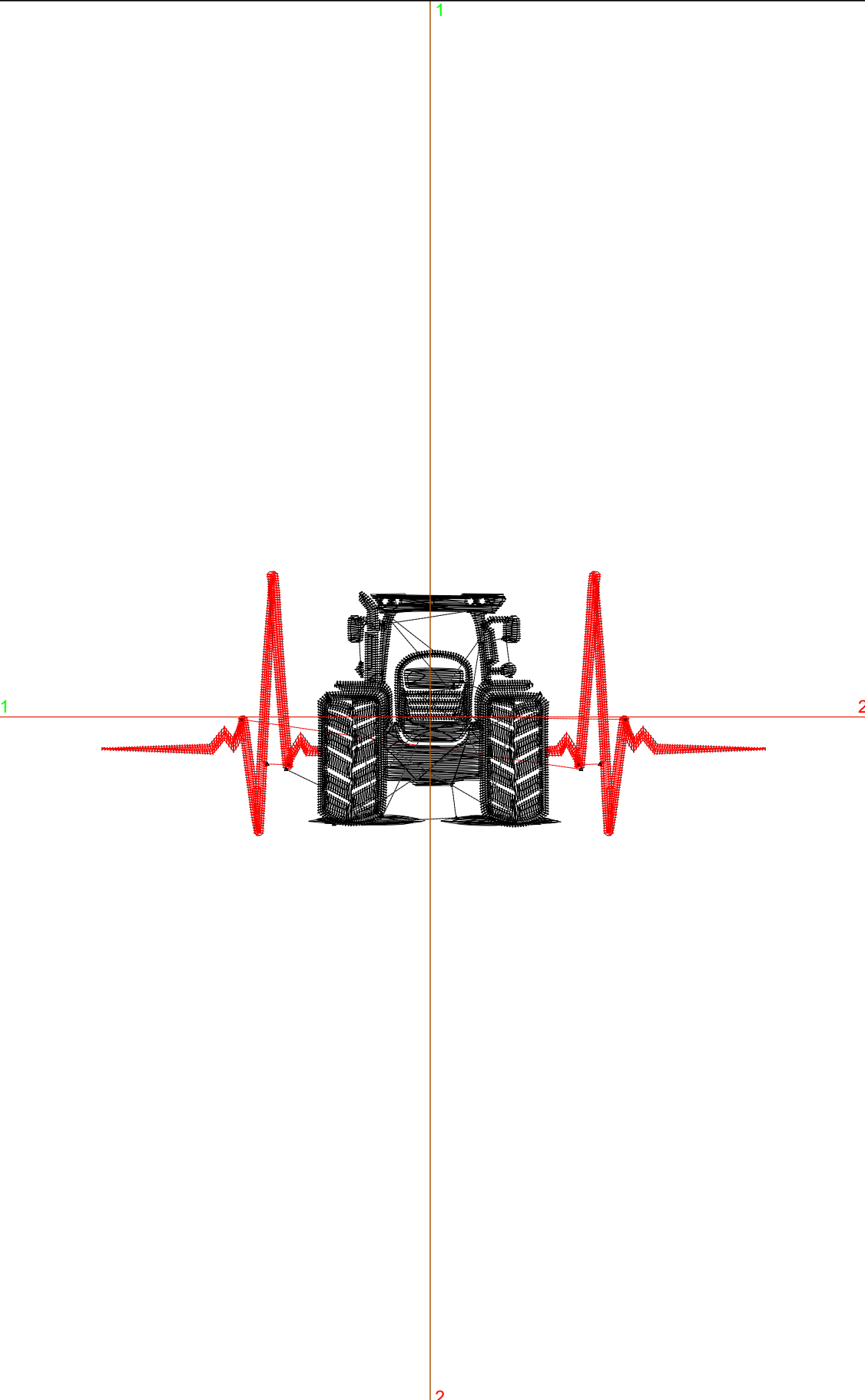
Title:

Stitches: 6,232
 Height: 1.79 in
 Width: 4.50 in
 Colors: 2
 Colorway: Colorway 1
 Zoom: 1:1

Machine format: Tajima
 Color changes: 1
 Stops: 2
 Trims: 26
 Appliqués: 0
 Left: 56.6 mm
 Right: 57.7 mm
 Up: 25.1 mm
 Down: 20.4 mm
 EndX: 0.00 in
 EndY: 0.00 in
 Area: 8.05 in²
 Max stitch: 6.9 mm
 Min stitch: 0.0 mm
 Max jump: 7.0 mm
 Total thread: 91.25ft
 Total bobbin: 29.45ft

Stop Sequence:

#	N#	Color	St.	Code	Name	Chart
1.	3		1,775	3	Red	Default
2.	8		4,455	8	Black	Default



Production Worksheet

Wilcom EmbroideryStudio - Designing



Design: **5**

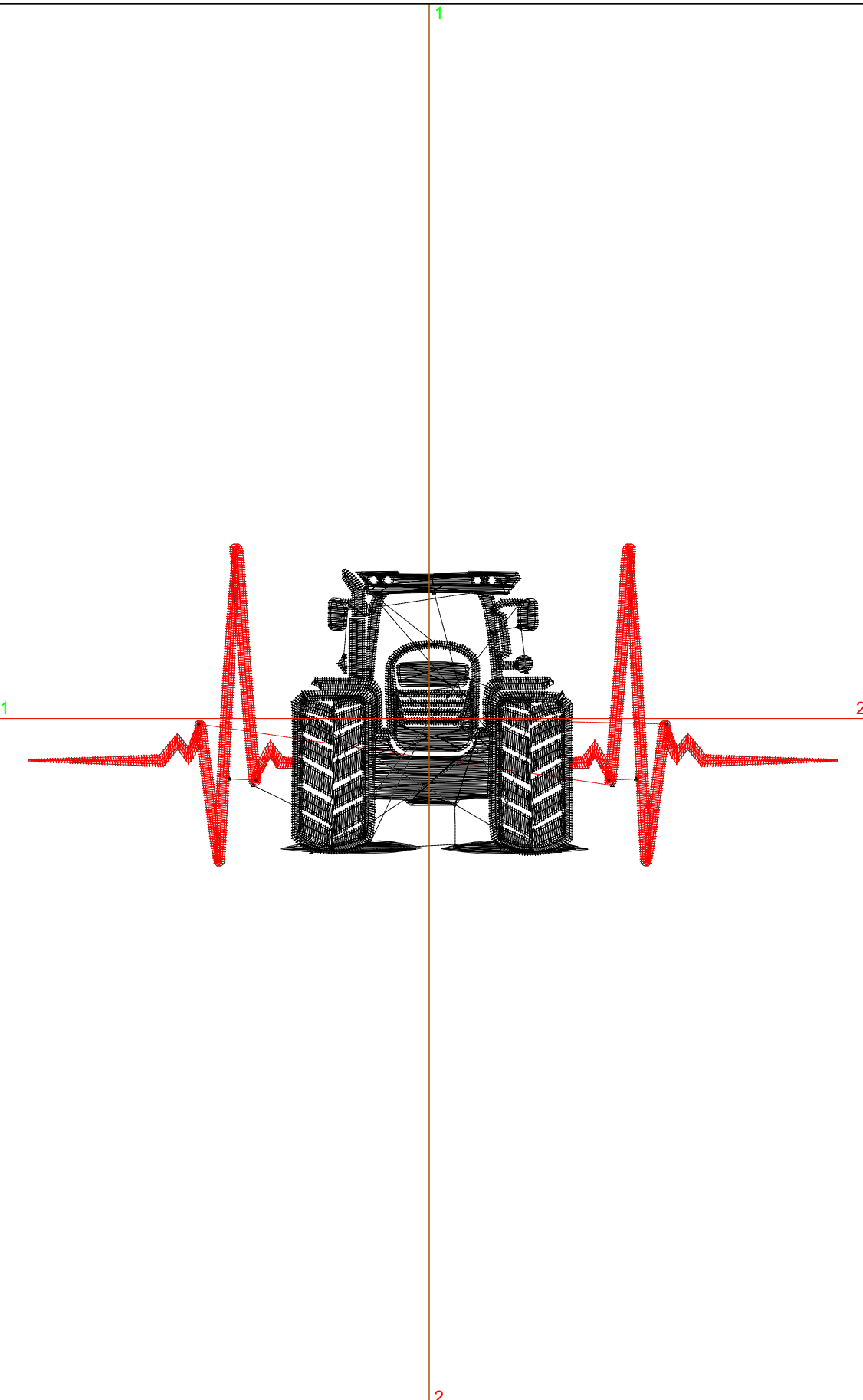
Title:

Stitches: 7,653
 Height: 2.19 in
 Width: 5.50 in
 Colors: 2
 Colorway: Colorway 1
 Zoom: 1:1

Machine format: Tajima
 Color changes: 1
 Stops: 2
 Trims: 30
 Appliqués: 0
 Left: 69.3 mm
 Right: 70.4 mm
 Up: 30.1 mm
 Down: 25.4 mm
 EndX: 0.00 in
 EndY: 0.00 in
 Area 12.03 in²
 Max stitch: 11.8 mm
 Min stitch: 0.0 mm
 Max jump: 6.8 mm
 Total thread: 120.31ft
 Total bobbin: 41.15ft

Stop Sequence:

#	N#	Color	St.	Code	Name	Chart
1.	3		2,170	3	Red	Default
2.	8		5,481	8	Black	Default



Production Worksheet

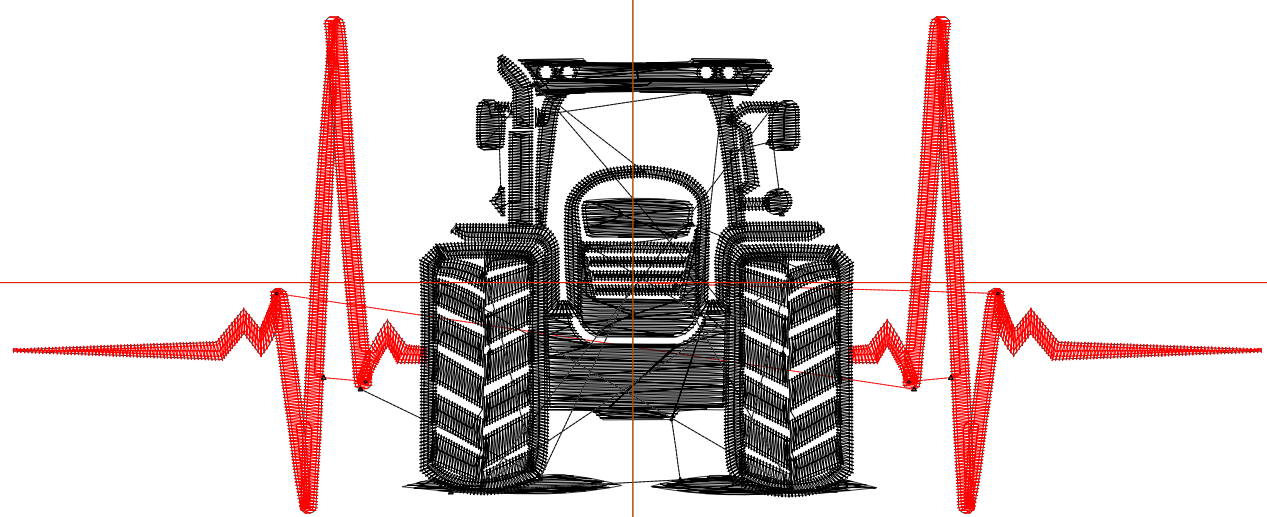
Wilcom EmbroideryStudio - Designing



Design: **6**

Title:

Stitches: 9,109
Height: 2.58 in
Width: 6.50 in
Colors: 2
Colorway: Colorway 1
Zoom: 1:1



Production Worksheet

Wilcom EmbroideryStudio - Designing



Design: **6**

Title:

Stitches: 9,109
 Height: 2.58 in
 Width: 6.50 in
 Colors: 2
 Colorway: Colorway 1
 Zoom: 1:1

Machine format: Tajima
 Color changes: 1
 Stops: 2
 Trims: 30
 Appliqués: 0
 Left: 82.0 mm
 Right: 83.1 mm
 Up: 35.2 mm
 Down: 30.5 mm
 EndX: 0.00 in
 EndY: 0.00 in
 Area 16.80 in²
 Max stitch: 9.6 mm
 Min stitch: 0.2 mm
 Max jump: 6.9 mm
 Total thread: 153.85ft
 Total bobbin: 55.36ft

Stop Sequence:

#	N#	Color	St.	Code	Name	Chart
1.	3		2,571	3	Red	Default
2.	8		6,536	8	Black	Default

Production Worksheet

Wilcom EmbroideryStudio - Designing

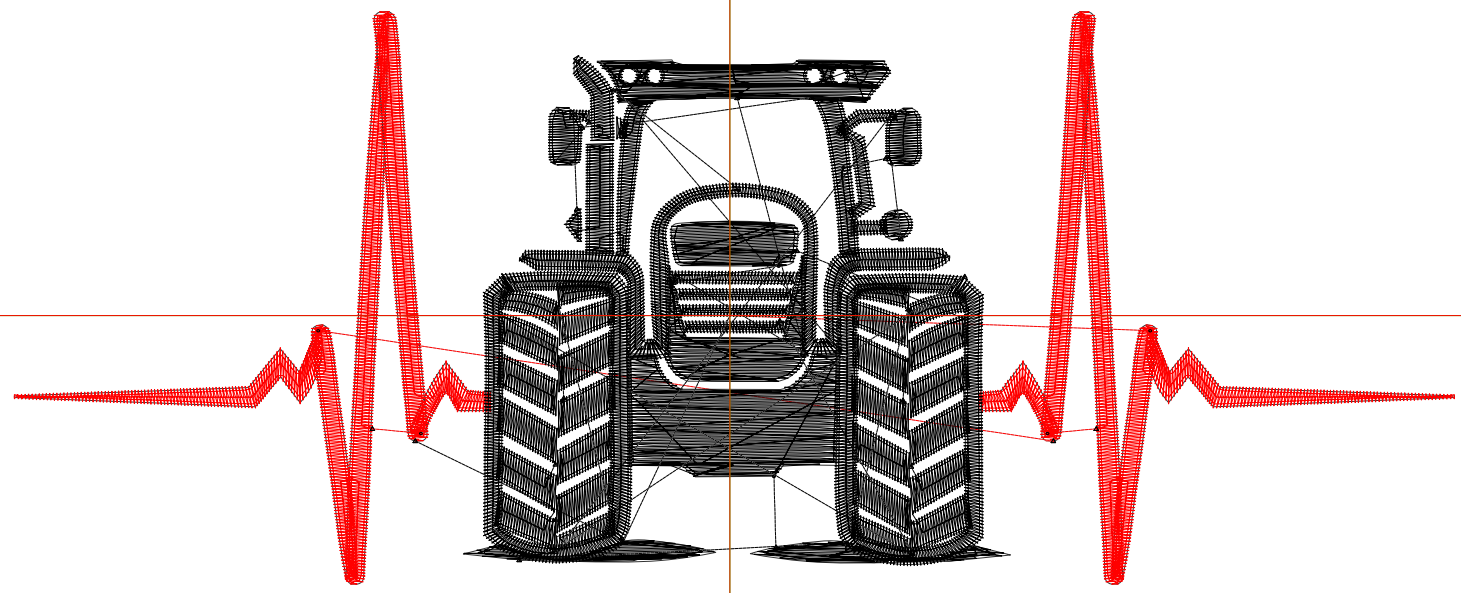


Design: **7**

Title:

Stitches: 10,713
Height: 2.98 in
Width: 7.50 in
Colors: 2
Colorway: Colorway 1
Zoom: 1:1

1



1

2

2

Production Worksheet

Wilcom EmbroideryStudio - Designing



Design: **7**

Title:

Stitches: 10,713
 Height: 2.98 in
 Width: 7.50 in
 Colors: 2
 Colorway: Colorway 1
 Zoom: 1:1

Machine format: Tajima
 Color changes: 1
 Stops: 2
 Trims: 31
 Appliqués: 0
 Left: 94.7 mm
 Right: 95.8 mm
 Up: 40.2 mm
 Down: 35.5 mm
 EndX: 0.00 in
 EndY: 0.00 in
 Area 22.37 in²
 Max stitch: 9.3 mm
 Min stitch: 0.1 mm
 Max jump: 7.0 mm
 Total thread: 192.01ft
 Total bobbin: 71.74ft

Stop Sequence:

#	N#	Color	St.	Code	Name	Chart
1.	3		2,987	3	Red	Default
2.	8		7,724	8	Black	Default