

Production Worksheet

Wilcom EmbroideryStudio - Designing



Design: **3**

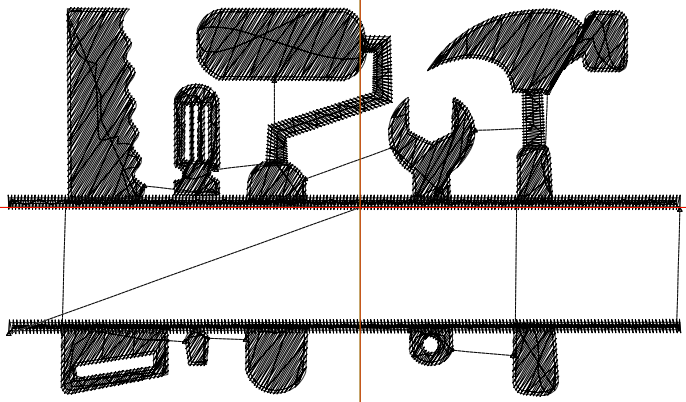
Title:

Stitches: 4,911
 Height: 2.03 in
 Width: 3.50 in
 Colors: 1
 Colorway: Colorway 1
 Zoom: 1:1

Machine format: Tajima
 Color changes: 0
 Stops: 1
 Trims: 14
 Appliqués: 0
 Left: 46.5 mm
 Right: 42.4 mm
 Up: 26.4 mm
 Down: 25.0 mm
 EndX: 0.00 in
 EndY: 0.00 in
 Area: 7.09 in²
 Max stitch: 10.3 mm
 Min stitch: 0.1 mm
 Max jump: 6.6 mm
 Total thread: 78.34ft
 Total bobbin: 27.13ft

Stop Sequence:

#	N#	Color	St.	Code	Name	Chart
1.	8	█	4,909	8	Black	Default



Production Worksheet

Wilcom EmbroideryStudio - Designing



Design: **4**

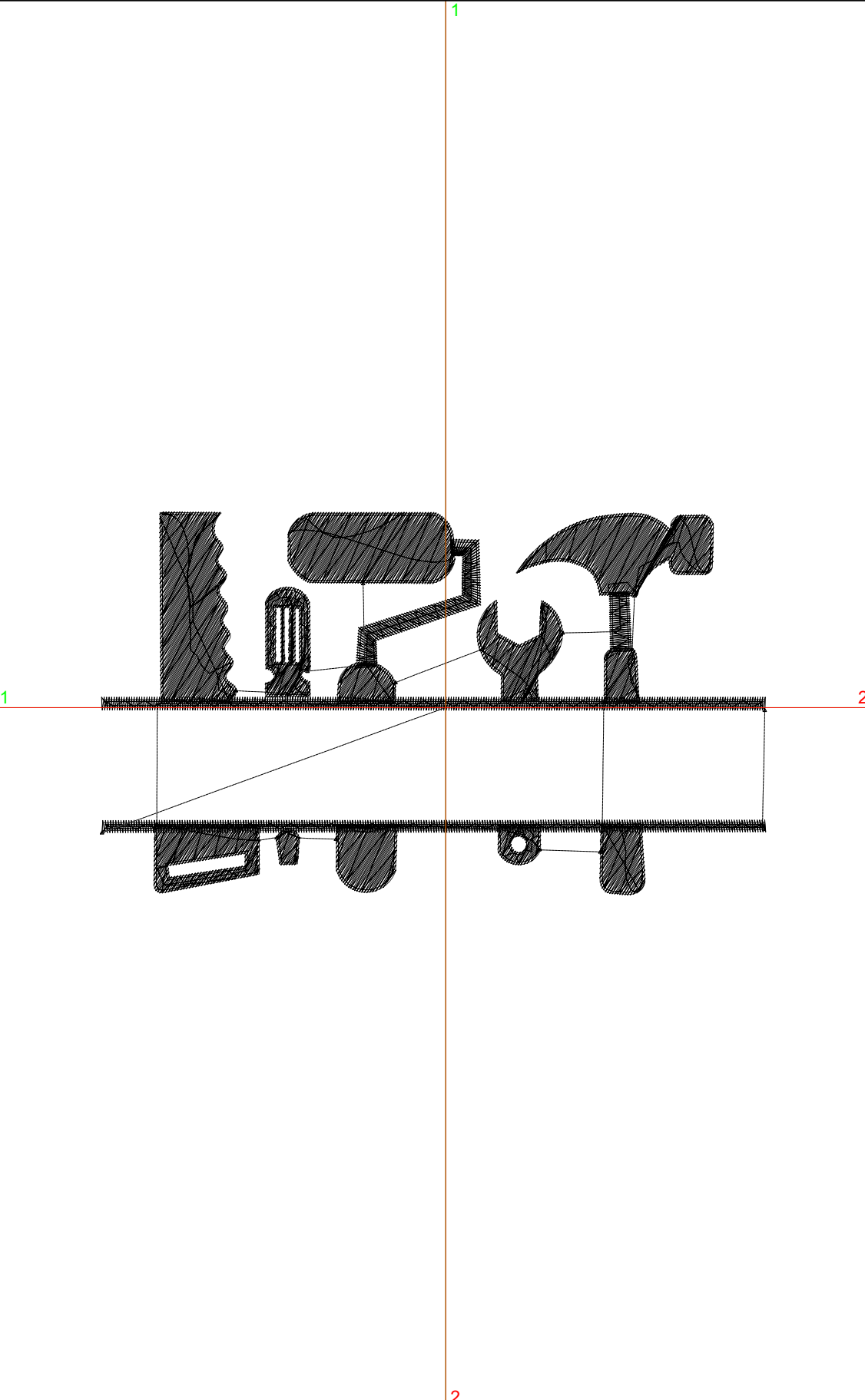
Title:

Stitches: 6,749
 Height: 2.60 in
 Width: 4.50 in
 Colors: 1
 Colorway: Colorway 1
 Zoom: 1:1

Machine format: Tajima
 Color changes: 0
 Stops: 1
 Trims: 14
 Appliqués: 0
 Left: 59.2 mm
 Right: 55.1 mm
 Up: 33.8 mm
 Down: 32.3 mm
 EndX: 0.00 in
 EndY: 0.00 in
 Area: 11.71 in²
 Max stitch: 8.5 mm
 Min stitch: 0.2 mm
 Max jump: 6.6 mm
 Total thread: 116.06ft
 Total bobbin: 42.34ft

Stop Sequence:

#	N#	Color	St.	Code	Name	Chart
1.	8	█	6,747	8	Black	Default



Production Worksheet

Wilcom EmbroideryStudio - Designing



Design: **5**

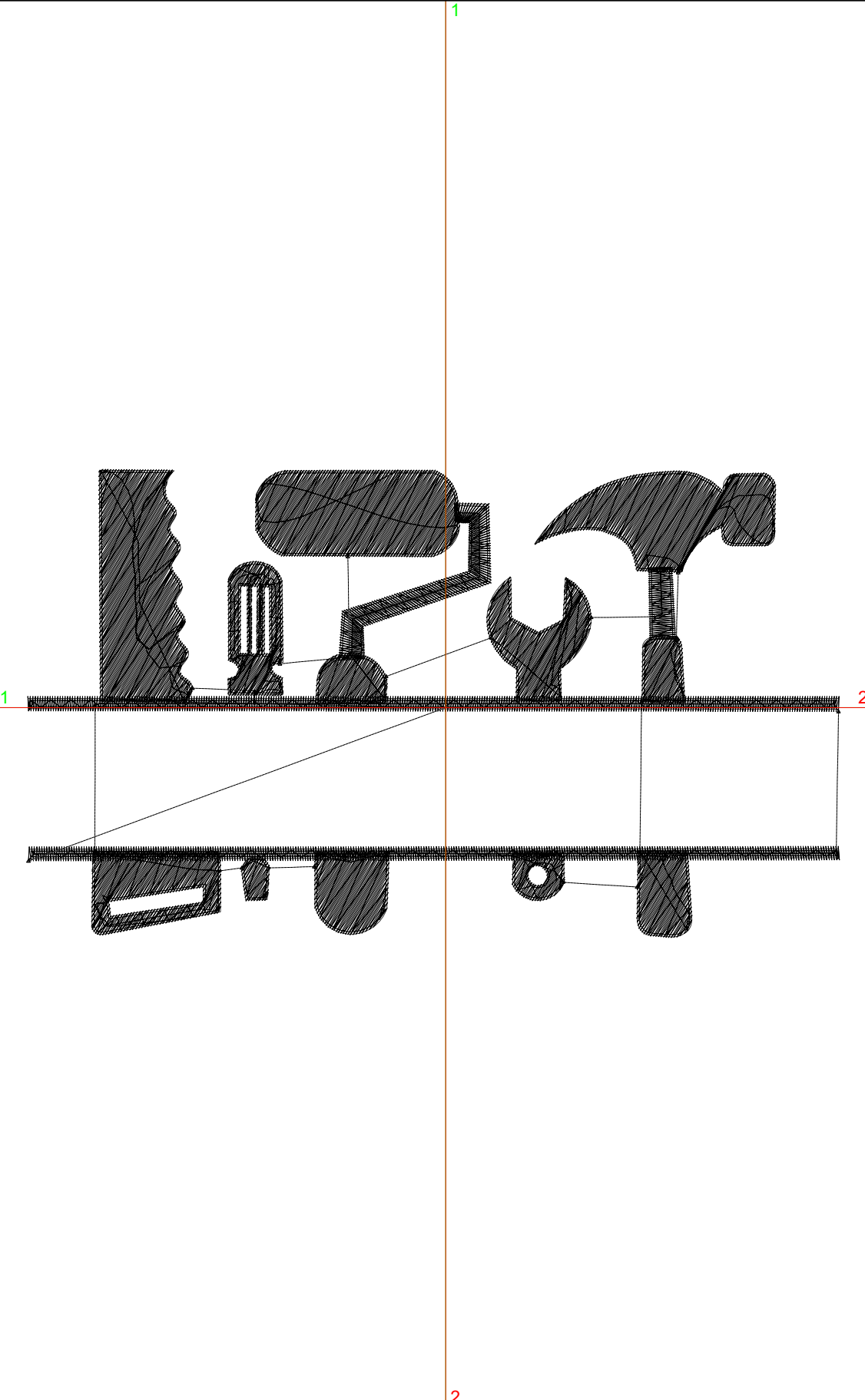
Title:

Stitches: 8,843
 Height: 3.18 in
 Width: 5.50 in
 Colors: 1
 Colorway: Colorway 1
 Zoom: 1:1

Machine format: Tajima
 Color changes: 0
 Stops: 1
 Trims: 14
 Appliqués: 0
 Left: 71.9 mm
 Right: 67.8 mm
 Up: 41.1 mm
 Down: 39.6 mm
 EndX: 0.00 in
 EndY: 0.00 in
 Area: 17.47 in²
 Max stitch: 6.4 mm
 Min stitch: 0.3 mm
 Max jump: 6.5 mm
 Total thread: 161.01ft
 Total bobbin: 60.83ft

Stop Sequence:

#	N#	Color	St.	Code	Name	Chart
1.	8	█	8,841	8	Black	Default



Production Worksheet

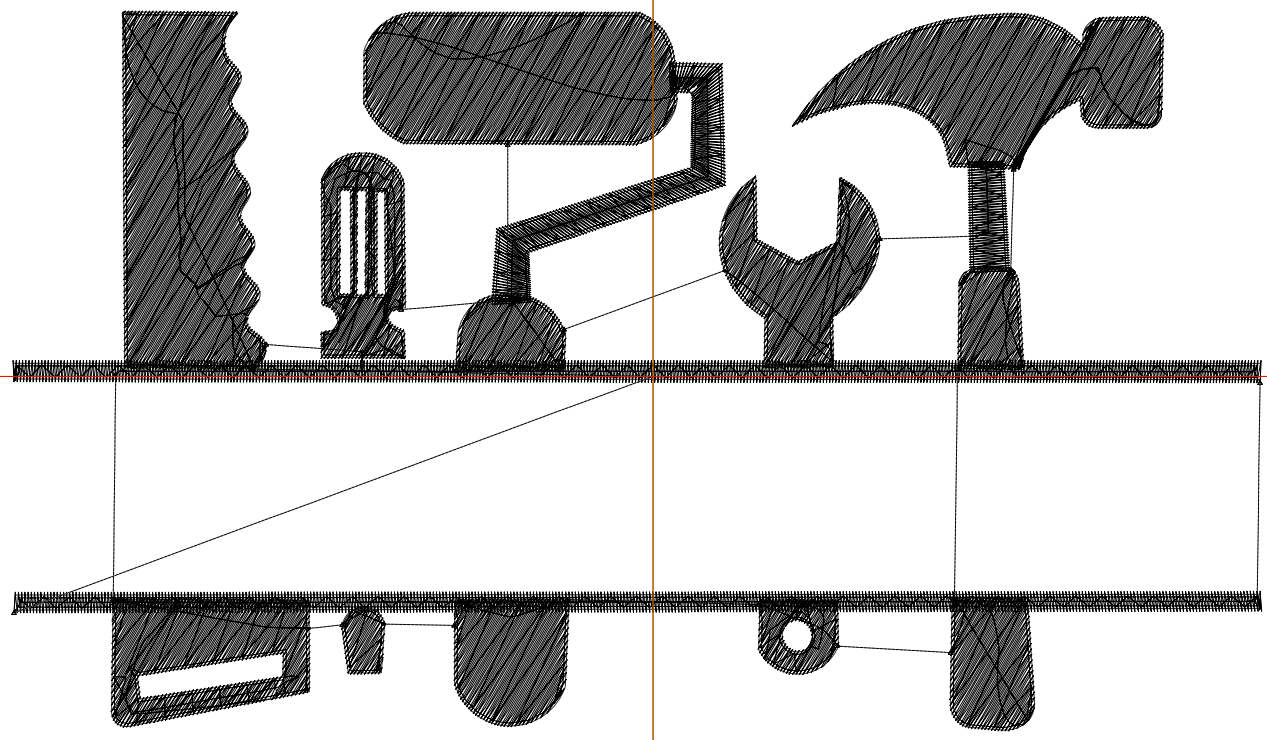
Wilcom EmbroideryStudio - Designing



Design: **6**

Title:

Stitches: 11,122
Height: 3.75 in
Width: 6.50 in
Colors: 1
Colorway: Colorway 1
Zoom: 1:1



Production Worksheet

Wilcom EmbroideryStudio - Designing



Design: **6**

Title:

Stitches: 11,122
 Height: 3.75 in
 Width: 6.50 in
 Colors: 1
 Colorway: Colorway 1
 Zoom: 1:1

Machine format: Tajima
 Color changes: 0
 Stops: 1
 Trims: 14
 Appliqués: 0
 Left: 84.6 mm
 Right: 80.5 mm
 Up: 48.4 mm
 Down: 46.9 mm
 EndX: 0.00 in
 EndY: 0.00 in
 Area 24.39 in²
 Max stitch: 6.6 mm
 Min stitch: 0.1 mm
 Max jump: 6.6 mm
 Total thread: 212.16ft
 Total bobbin: 82.28ft

Stop Sequence:

#	N#	Color	St.	Code	Name	Chart
1.	8	█	11,120	8	Black	Default

Production Worksheet

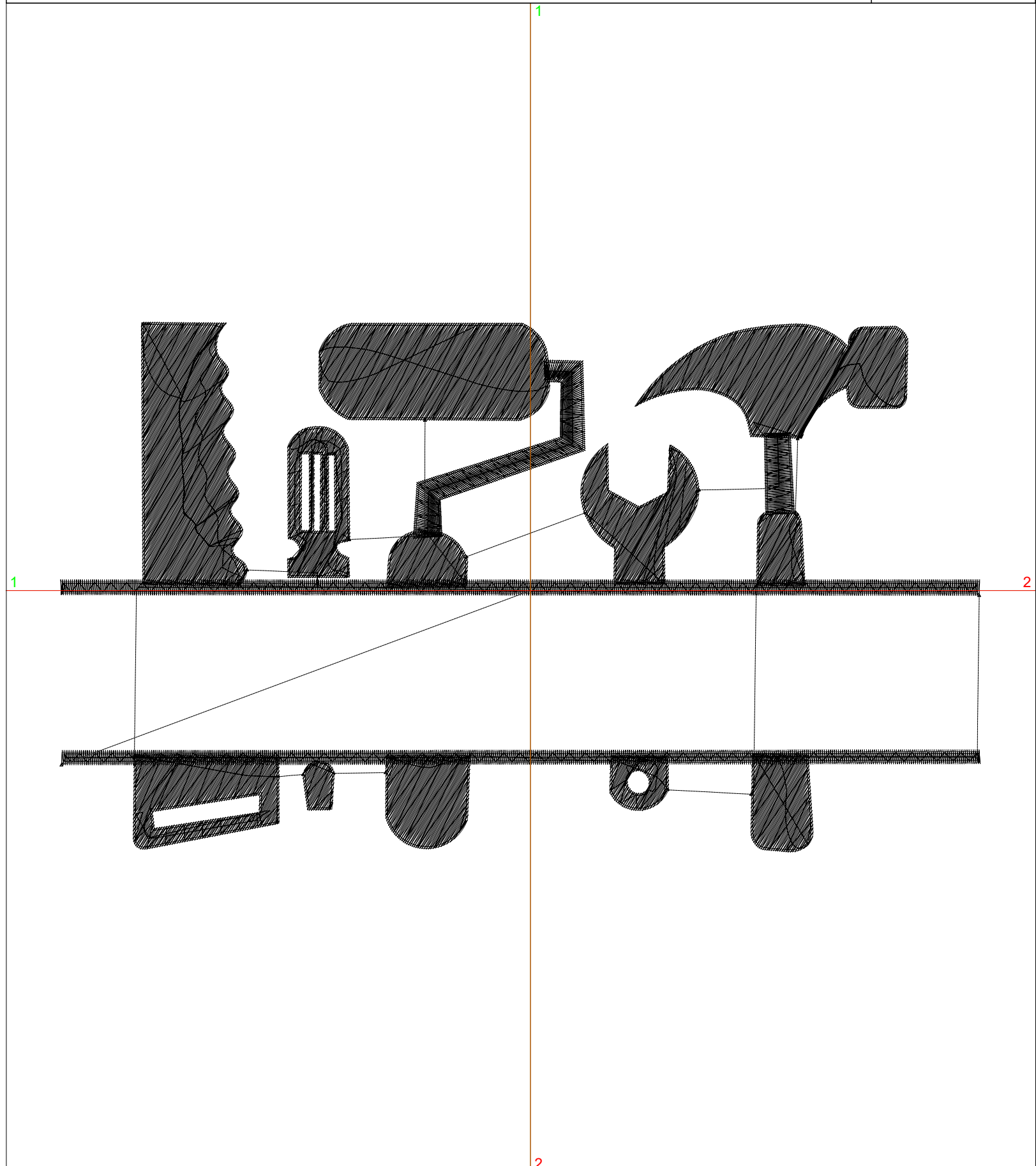
Wilcom EmbroideryStudio - Designing



Design: **7**

Title:

Stitches: 13,821
Height: 4.33 in
Width: 7.50 in
Colors: 1
Colorway: Colorway 1
Zoom: 1:1



Production Worksheet

Wilcom EmbroideryStudio - Designing



Design: **7**

Title:

Stitches: 13,821
 Height: 4.33 in
 Width: 7.50 in
 Colors: 1
 Colorway: Colorway 1
 Zoom: 1:1

Machine format: Tajima
 Color changes: 0
 Stops: 1
 Trims: 14
 Appliqués: 0
 Left: 97.3 mm
 Right: 93.2 mm
 Up: 55.7 mm
 Down: 54.2 mm
 EndX: 0.00 in
 EndY: 0.00 in
 Area 32.46 in²
 Max stitch: 7.0 mm
 Min stitch: 0.3 mm
 Max jump: 7.0 mm
 Total thread: 273.13ft
 Total bobbin: 107.92ft

Stop Sequence:

#	N#	Color	St.	Code	Name	Chart
1.	8	█	13,819	8	Black	Default