

Production Worksheet

Wilcom EmbroideryStudio - Designing



Design: **3**

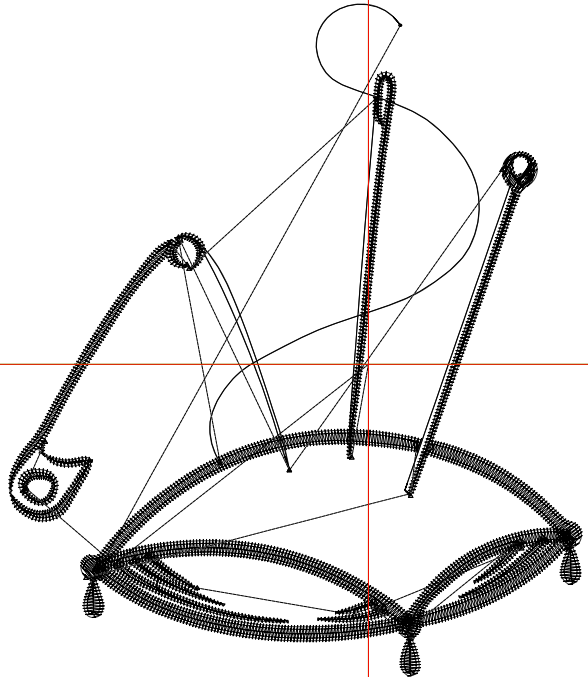
Title:

Stitches: 3,639
 Height: 3.50 in
 Width: 2.99 in
 Colors: 1
 Colorway: Colorway 1
 Zoom: 1:1

Machine format: Tajima
 Color changes: 0
 Stops: 1
 Trims: 18
 Appliqués: 0
 Left: 47.6 mm
 Right: 28.3 mm
 Up: 47.6 mm
 Down: 41.3 mm
 EndX: 0.00 in
 EndY: 0.00 in
 Area: 10.45 in²
 Max stitch: 6.9 mm
 Min stitch: 0.0 mm
 Max jump: 6.9 mm
 Total thread: 49.60ft
 Total bobbin: 15.05ft

Stop Sequence:

#	N#	Color	St.	Code	Name	Chart
1.	8	█	3,637	8	Black	Default



Production Worksheet

Wilcom EmbroideryStudio - Designing



Design: **4**

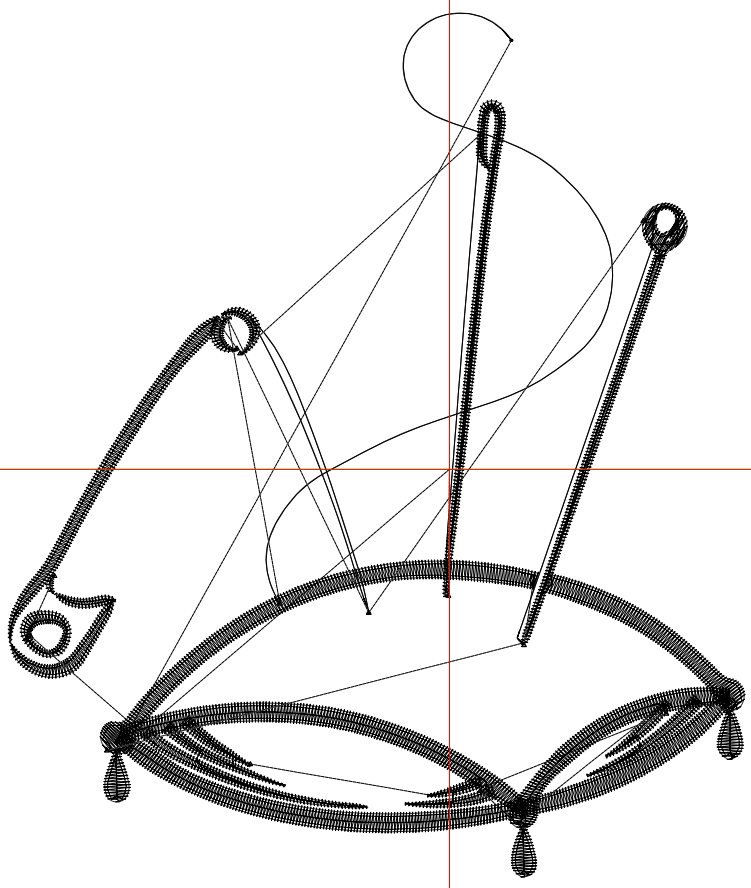
Title:

Stitches: 4,634
 Height: 4.50 in
 Width: 3.84 in
 Colors: 1
 Colorway: Colorway 1
 Zoom: 1:1

Machine format: Tajima
 Color changes: 0
 Stops: 1
 Trims: 18
 Appliqués: 0
 Left: 58.4 mm
 Right: 39.1 mm
 Up: 60.3 mm
 Down: 54.0 mm
 EndX: 0.00 in
 EndY: 0.00 in
 Area: 17.27 in²
 Max stitch: 6.9 mm
 Min stitch: 0.2 mm
 Max jump: 6.9 mm
 Total thread: 68.83ft
 Total bobbin: 22.58ft

Stop Sequence:

#	N#	Color	St.	Code	Name	Chart
1.	8	█	4,632	8	Black	Default



Production Worksheet

Wilcom EmbroideryStudio - Designing



Design: **5**

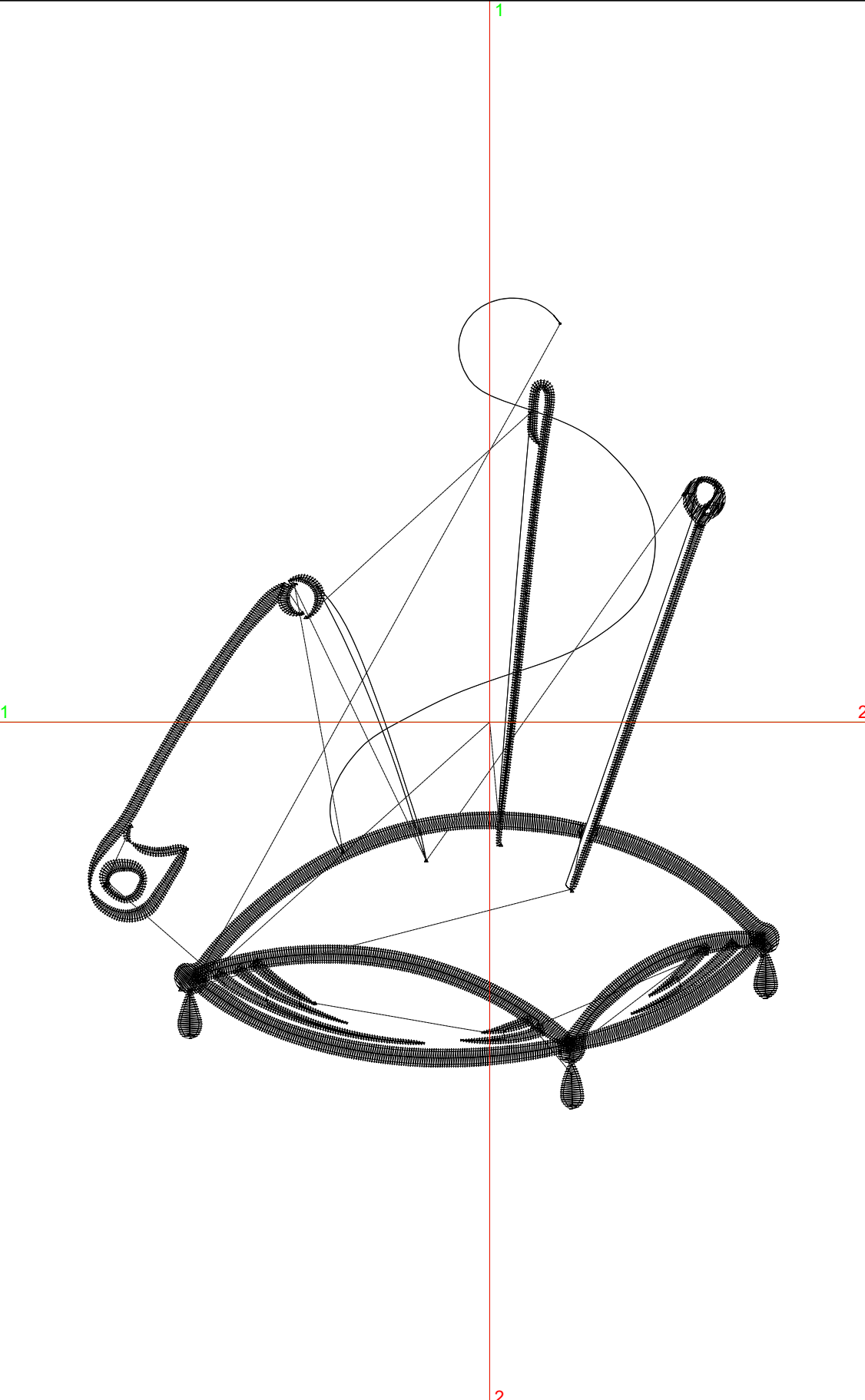
Title:

Stitches: 5,674
Height: 5.50 in
Width: 4.69 in
Colors: 1
Colorway: Colorway 1
Zoom: 1:1

Machine format: Tajima
Color changes: 0
Stops: 1
Trims: 18
Appliqués: 0
Left: 69.2 mm
Right: 49.9 mm
Up: 73.0 mm
Down: 66.7 mm
EndX: 0.00 in
EndY: 0.00 in
Area: 25.79 in²
Max stitch: 6.9 mm
Min stitch: 0.2 mm
Max jump: 6.9 mm
Total thread: 91.55ft
Total bobbin: 31.99ft

Stop Sequence:

#	N#	Color	St.	Code	Name	Chart
1.	8	█	5,672	8	Black	Default



Production Worksheet

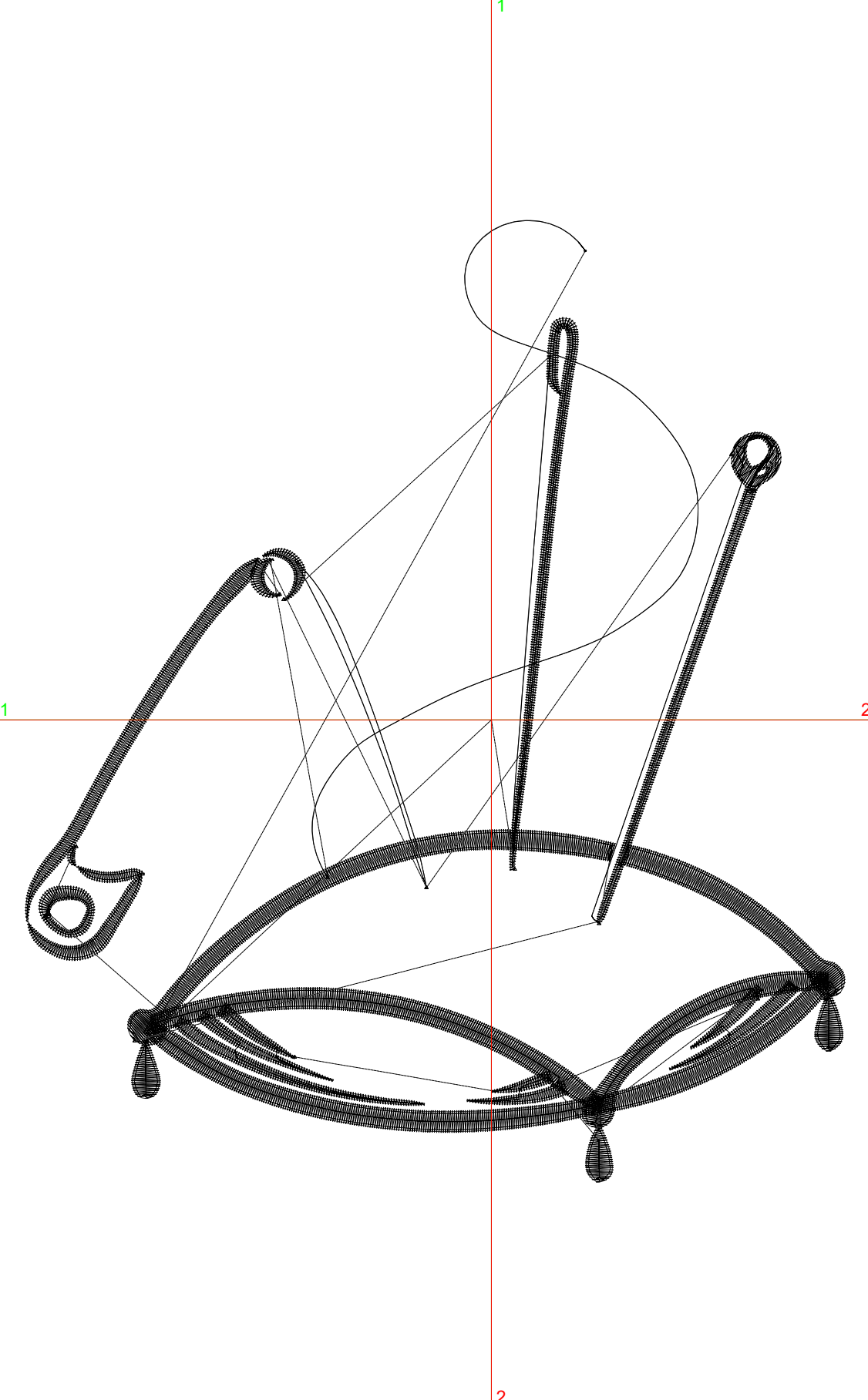
Wilcom EmbroideryStudio - Designing



Design: **6**

Title:

Stitches: 6,730
Height: 6.50 in
Width: 5.54 in
Colors: 1
Colorway: Colorway 1
Zoom: 1:1



Machine format: Tajima
Color changes: 0
Stops: 1
Trims: 19
Appliqués: 0
Left: 80.0 mm
Right: 60.7 mm
Up: 85.7 mm
Down: 79.3 mm
EndX: 0.00 in
EndY: 0.00 in
Area: 36.01 in²
Max stitch: 6.9 mm
Min stitch: 0.0 mm
Max jump: 7.0 mm
Total thread: 117.16ft
Total bobbin: 43.07ft

Stop Sequence:

#	N#	Color	St.	Code	Name	Chart
1.	8	█	6,728	8	Black	Default

Production Worksheet

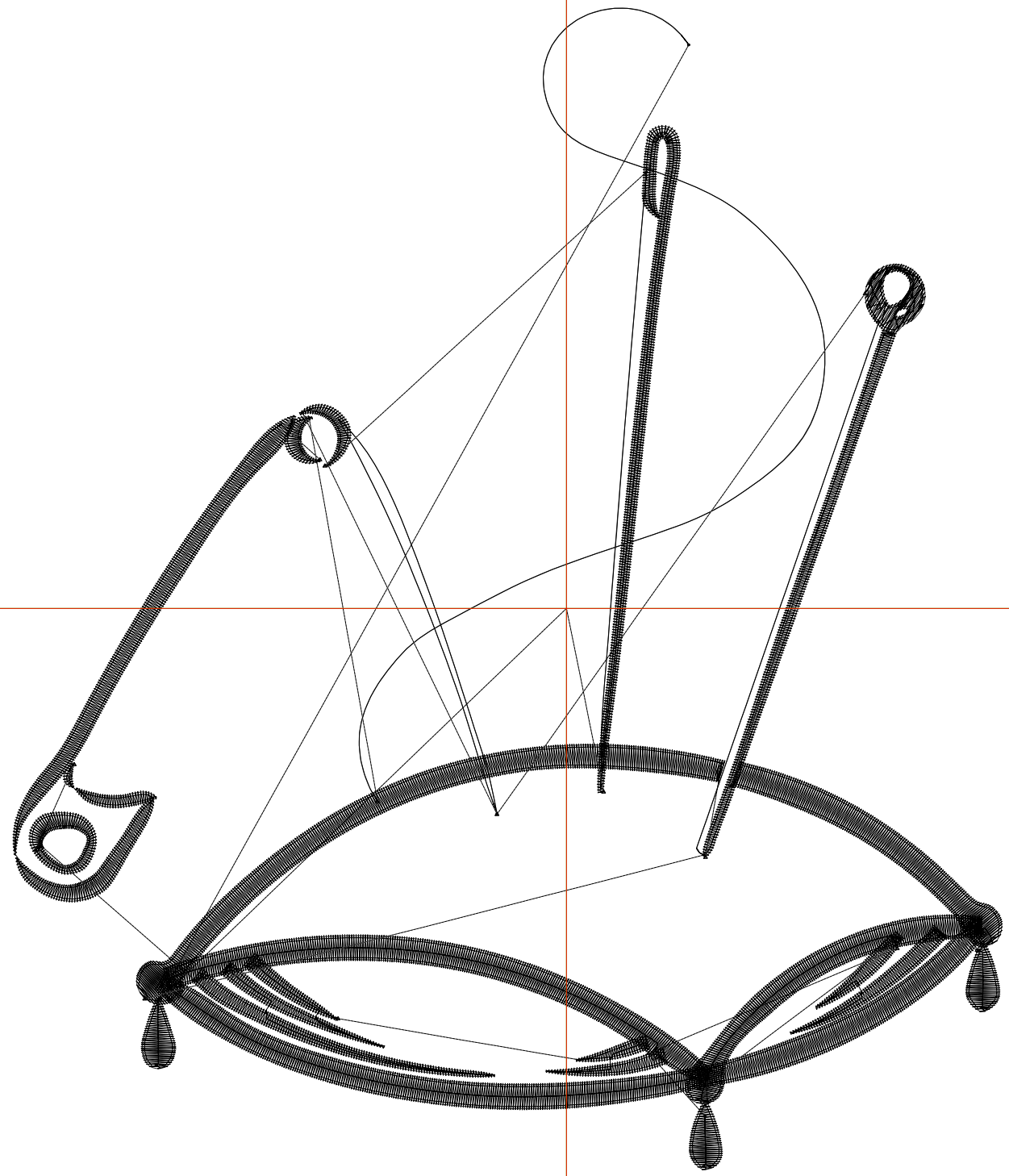
Wilcom EmbroideryStudio - Designing



Design: **7**

Title:

Stitches: 7,822
Height: 7.50 in
Width: 6.39 in
Colors: 1
Colorway: Colorway 1
Zoom: 1:1



Production Worksheet

Wilcom EmbroideryStudio - Designing



Design: **7**

Title:

Stitches: 7,822
 Height: 7.50 in
 Width: 6.39 in
 Colors: 1
 Colorway: Colorway 1
 Zoom: 1:1

Machine format: Tajima
 Color changes: 0
 Stops: 1
 Trims: 19
 Appliqués: 0
 Left: 90.8 mm
 Right: 71.5 mm
 Up: 98.4 mm
 Down: 92.1 mm
 EndX: 0.00 in
 EndY: 0.00 in
 Area 47.92 in²
 Max stitch: 7.4 mm
 Min stitch: 0.0 mm
 Max jump: 7.0 mm
 Total thread: 146.30ft
 Total bobbin: 56.09ft

Stop Sequence:

#	N#	Color	St.	Code	Name	Chart
1.	8	█	7,820	8	Black	Default