

Production Worksheet

Wilcom EmbroideryStudio - Designing



Design: **3**

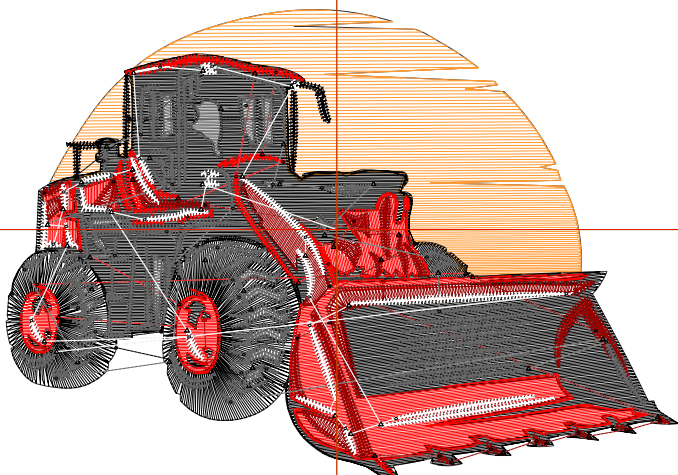
Title:

Stitches: 17,603
 Height: 2.44 in
 Width: 3.50 in
 Colors: 6
 Colorway: Colorway 1
 Zoom: 1:1

Machine format: Tajima
 Color changes: 5
 Stops: 6
 Trims: 81
 Appliqués: 0
 Left: 43.7 mm
 Right: 45.2 mm
 Up: 29.1 mm
 Down: 32.8 mm
 EndX: 0.00 in
 EndY: 0.00 in
 Area 8.53 in²
 Max stitch: 6.9 mm
 Min stitch: 0.0 mm
 Max jump: 6.9 mm
 Total thread: 234.37ft
 Total bobbin: 69.27ft

Stop Sequence:

| # | N# | Color | St. | Code | Name | Chart |
|----|----|-------|-------|------|----------|---------|
| 1. | 12 | | 1,123 | 12 | Orange | Default |
| 2. | 8 | | 5,913 | 8 | Black | Default |
| 3. | 3 | | 2,682 | 3 | Red | Default |
| 4. | 11 | | 1,769 | 11 | Dark Red | Default |
| 5. | 18 | | 4,695 | 18 | Grey | Default |
| 6. | 9 | | 1,419 | 9 | White | Default |



Production Worksheet

Wilcom EmbroideryStudio - Designing



Design: **4**

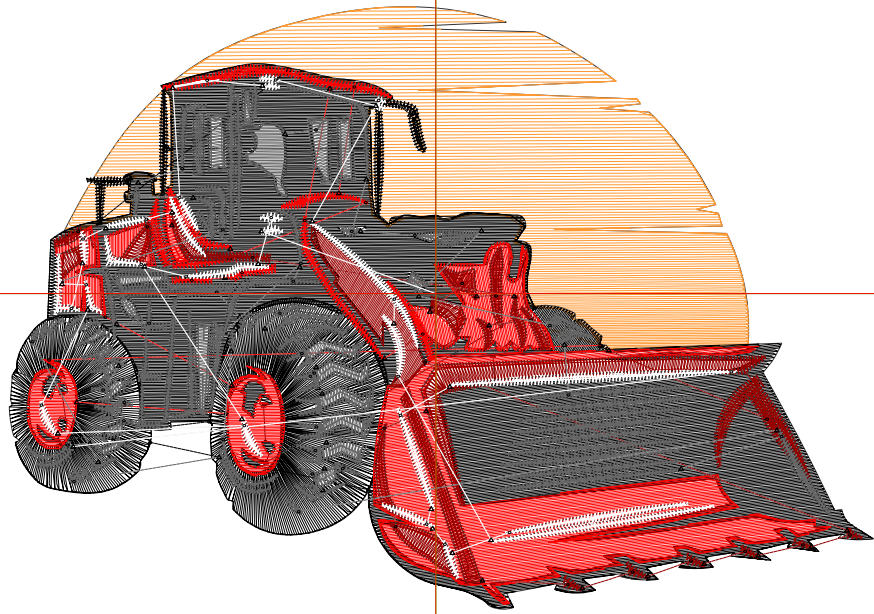
Title:

Stitches: 23,747
 Height: 3.13 in
 Width: 4.50 in
 Colors: 6
 Colorway: Colorway 1
 Zoom: 1:1

Machine format: Tajima
 Color changes: 5
 Stops: 6
 Trims: 89
 Appliqués: 0
 Left: 56.4 mm
 Right: 57.9 mm
 Up: 37.9 mm
 Down: 41.7 mm
 EndX: 0.00 in
 EndY: 0.00 in
 Area: 14.09 in²
 Max stitch: 7.0 mm
 Min stitch: 0.0 mm
 Max jump: 7.0 mm
 Total thread: 339.17ft
 Total bobbin: 107.48ft

Stop Sequence:

| # | N# | Color | St. | Code | Name | Chart |
|----|----|-------|-------|------|----------|---------|
| 1. | 12 | | 1,669 | 12 | Orange | Default |
| 2. | 8 | | 8,461 | 8 | Black | Default |
| 3. | 3 | | 3,702 | 3 | Red | Default |
| 4. | 11 | | 2,284 | 11 | Dark Red | Default |
| 5. | 18 | | 5,899 | 18 | Grey | Default |
| 6. | 9 | | 1,730 | 9 | White | Default |



Production Worksheet

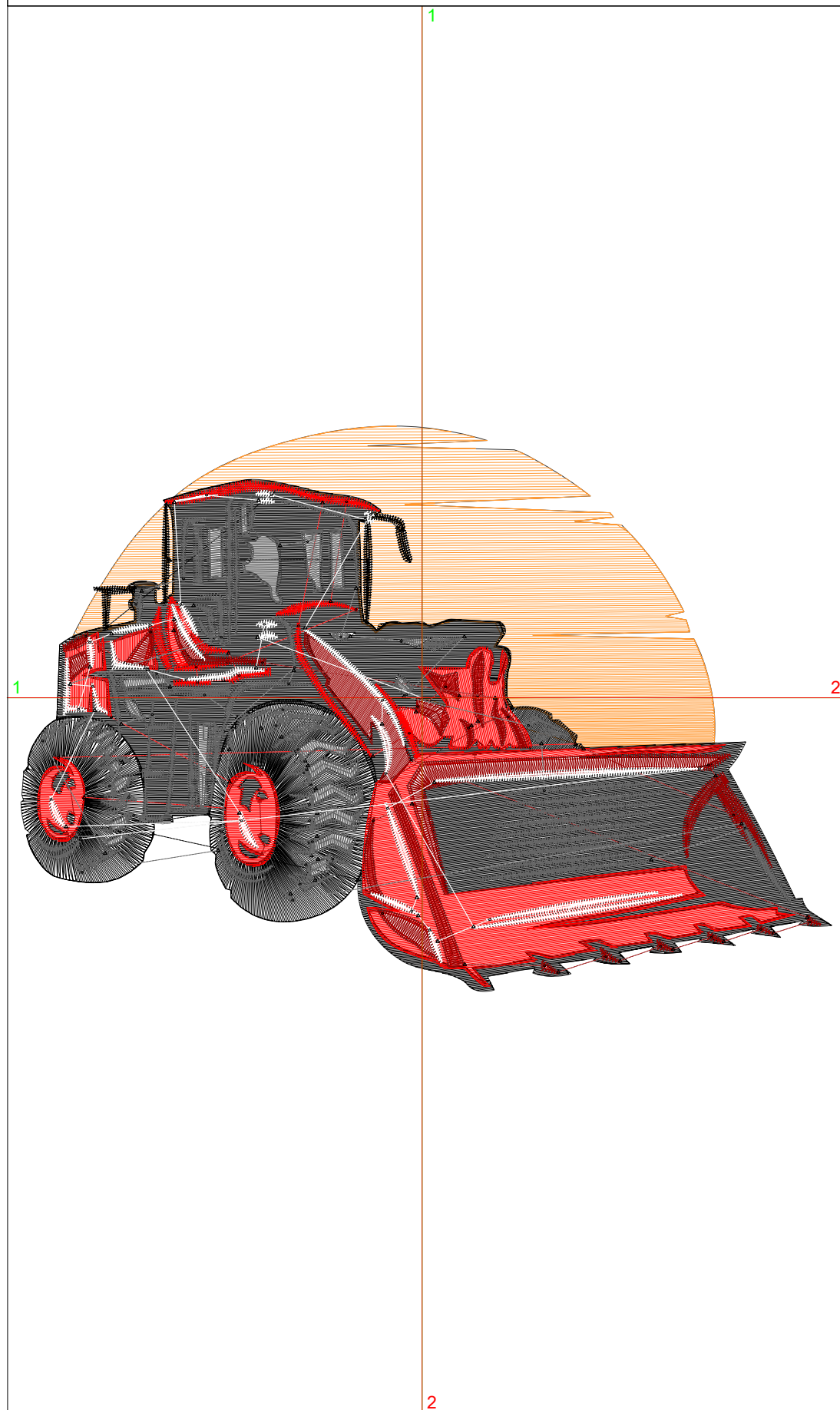
Wilcom EmbroideryStudio - Designing



Design: **5**

Title:

Stitches: 30,516
Height: 3.83 in
Width: 5.50 in
Colors: 6
Colorway: Colorway 1
Zoom: 1:1



Machine format: Tajima
Color changes: 5
Stops: 6
Trims: 98
Appliqués: 0
Left: 69.1 mm
Right: 70.6 mm
Up: 46.8 mm
Down: 50.5 mm
EndX: 0.00 in
EndY: 0.00 in
Area: 21.06 in²
Max stitch: 6.9 mm
Min stitch: 0.0 mm
Max jump: 6.9 mm
Total thread: 460.16ft
Total bobbin: 152.86ft

Stop Sequence:

| # | N# | Color | St. | Code | Name | Chart |
|----|----|-------|--------|------|----------|---------|
| 1. | 12 | | 2,338 | 12 | Orange | Default |
| 2. | 8 | | 11,300 | 8 | Black | Default |
| 3. | 3 | | 4,890 | 3 | Red | Default |
| 4. | 11 | | 2,779 | 11 | Dark Red | Default |
| 5. | 18 | | 7,121 | 18 | Grey | Default |
| 6. | 9 | | 2,086 | 9 | White | Default |

Production Worksheet

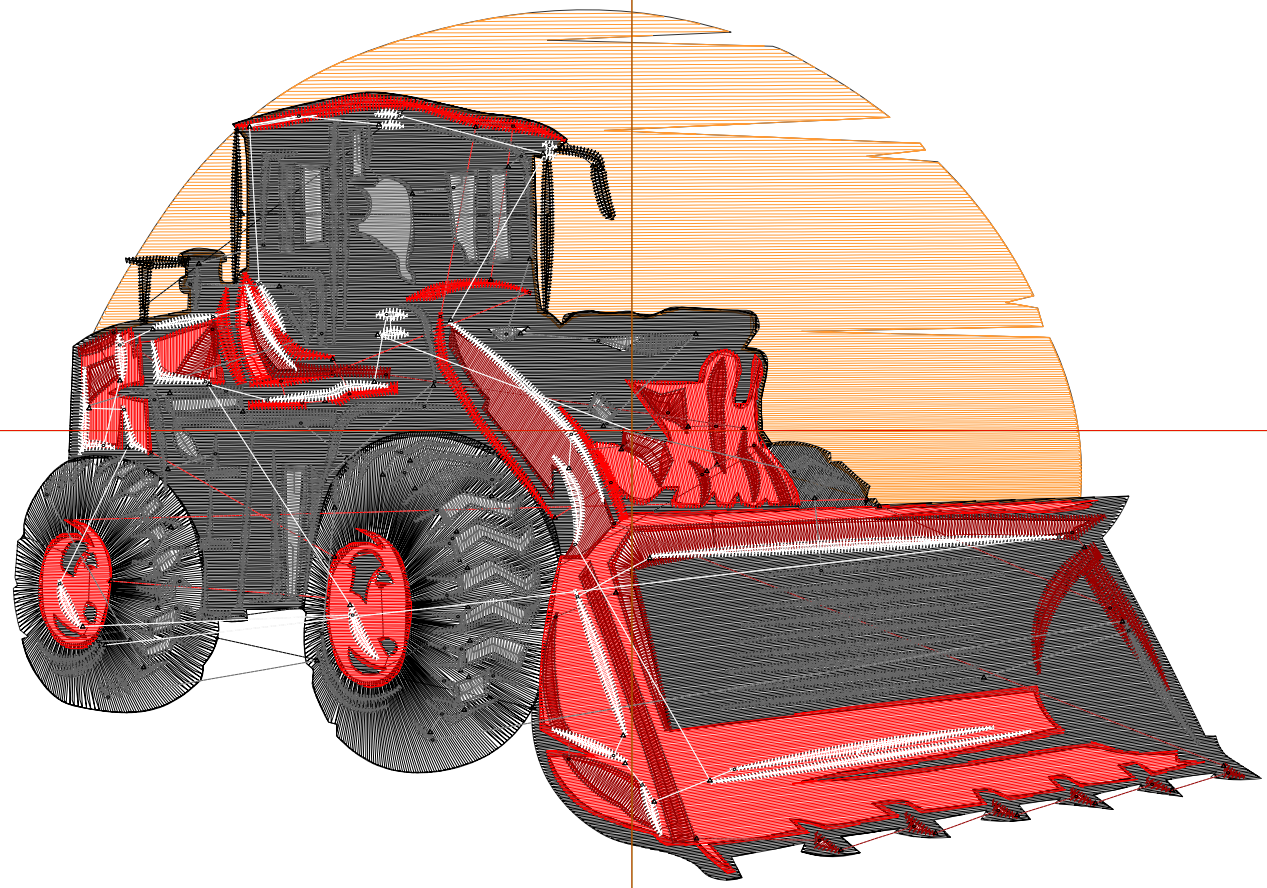
Wilcom EmbroideryStudio - Designing



Design: **6**

Title:

Stitches: 37,819
Height: 4.51 in
Width: 6.49 in
Colors: 6
Colorway: Colorway 1
Zoom: 1:1



Production Worksheet

Wilcom EmbroideryStudio - Designing



Design: **6**

Title:

Stitches: 37,819
 Height: 4.51 in
 Width: 6.49 in
 Colors: 6
 Colorway: Colorway 1
 Zoom: 1:1

Machine format: Tajima
 Color changes: 5
 Stops: 6
 Trims: 102
 Appliqués: 0
 Left: 81.8 mm
 Right: 83.0 mm
 Up: 55.2 mm
 Down: 59.5 mm
 EndX: 0.00 in
 EndY: 0.00 in
 Area 29.30 in²
 Max stitch: 6.9 mm
 Min stitch: 0.0 mm
 Max jump: 6.9 mm
 Total thread: 598.73ft
 Total bobbin: 206.58ft

Stop Sequence:

| # | N# | Color | St. | Code | Name | Chart |
|----|----|-------|--------|------|----------|---------|
| 1. | 12 | | 3,113 | 12 | Orange | Default |
| 2. | 8 | | 14,550 | 8 | Black | Default |
| 3. | 3 | | 6,097 | 3 | Red | Default |
| 4. | 11 | | 3,299 | 11 | Dark Red | Default |
| 5. | 18 | | 8,302 | 18 | Grey | Default |
| 6. | 9 | | 2,456 | 9 | White | Default |

Production Worksheet

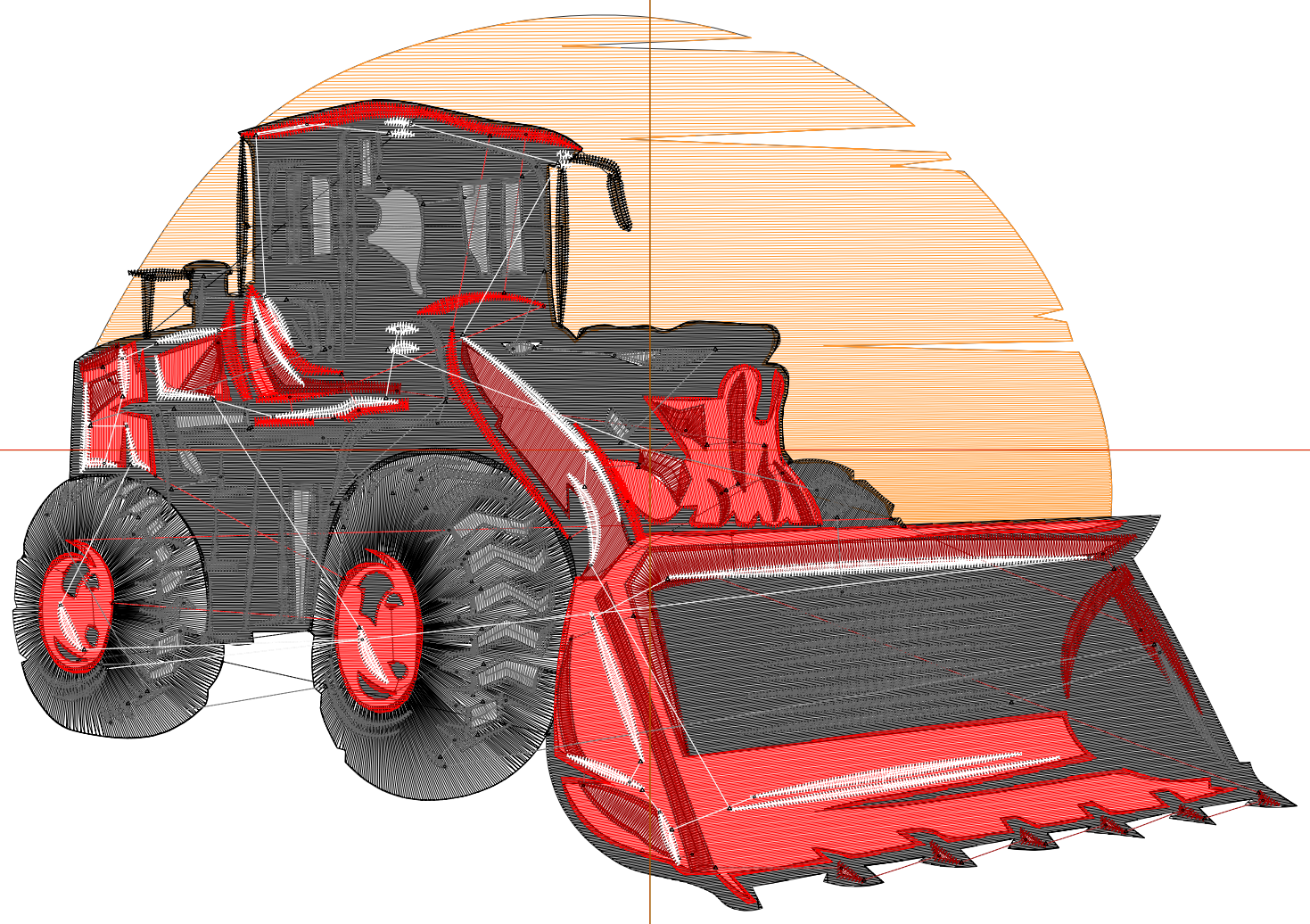
Wilcom EmbroideryStudio - Designing



Design: **7**

Title:

Stitches: 46,059
Height: 5.21 in
Width: 7.50 in
Colors: 6
Colorway: Colorway 1
Zoom: 1:1



Production Worksheet

Wilcom EmbroideryStudio - Designing



Design: **7**

Title:

Stitches: 46,059
 Height: 5.21 in
 Width: 7.50 in
 Colors: 6
 Colorway: Colorway 1
 Zoom: 1:1

Machine format: Tajima
 Color changes: 5
 Stops: 6
 Trims: 111
 Appliqués: 0
 Left: 94.5 mm
 Right: 96.0 mm
 Up: 64.1 mm
 Down: 68.3 mm
 EndX: 0.00 in
 EndY: 0.00 in
 Area 39.10 in²
 Max stitch: 6.9 mm
 Min stitch: 0.0 mm
 Max jump: 7.0 mm
 Total thread: 759.71ft
 Total bobbin: 269.94ft

Stop Sequence:

| # | N# | Color | St. | Code | Name | Chart |
|----|----|-------|--------|------|----------|---------|
| 1. | 12 | | 3,980 | 12 | Orange | Default |
| 2. | 8 | | 18,255 | 8 | Black | Default |
| 3. | 3 | | 7,546 | 3 | Red | Default |
| 4. | 11 | | 3,902 | 11 | Dark Red | Default |
| 5. | 18 | | 9,549 | 18 | Grey | Default |
| 6. | 9 | | 2,825 | 9 | White | Default |

Production Worksheet

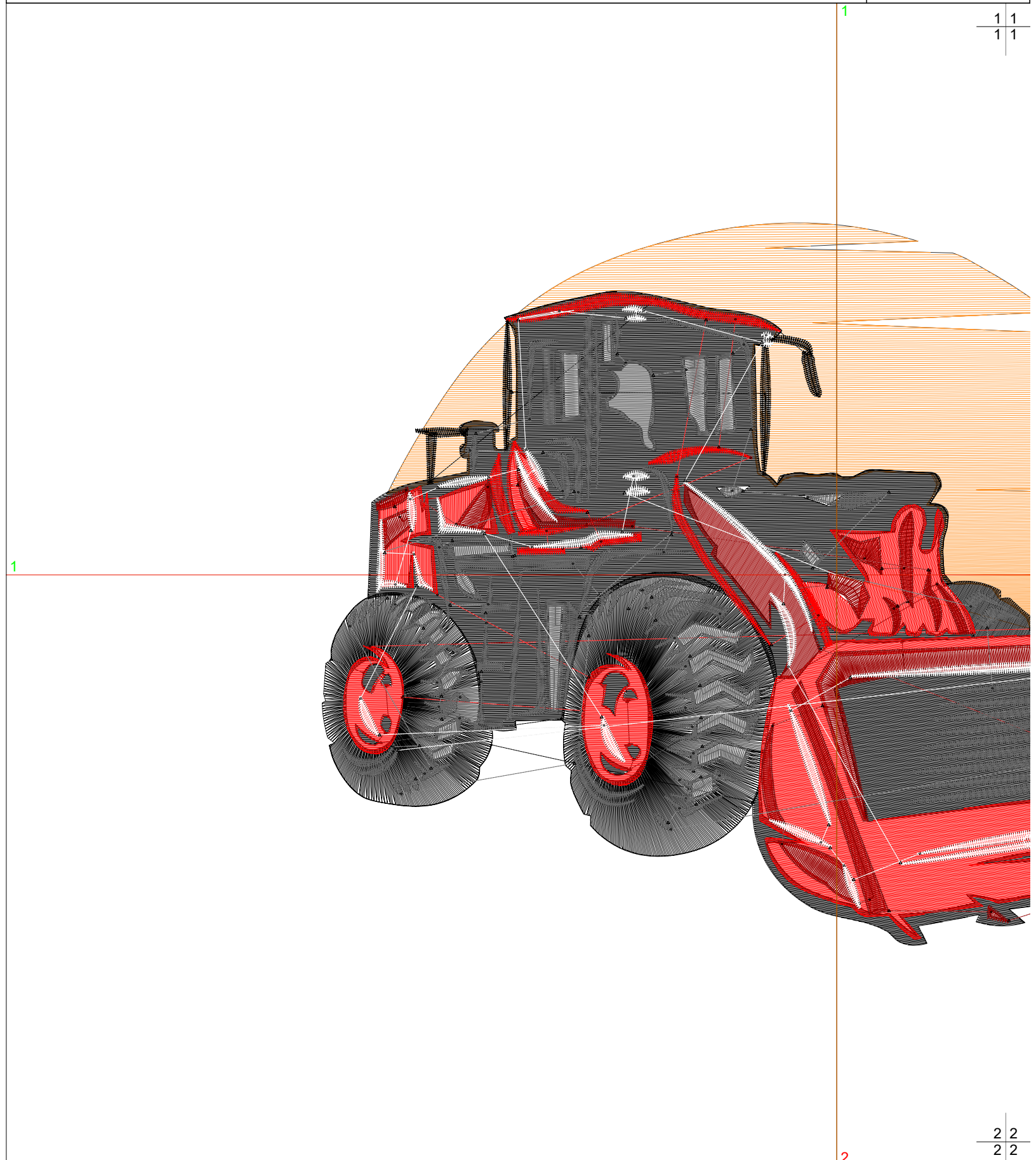
Wilcom EmbroideryStudio - Designing



Design: **8**

Title:

Stitches: 54,650
Height: 5.93 in
Width: 8.50 in
Colors: 6
Colorway: Colorway 1
Zoom: 1:1



1 1
1 1

2 2
2 2

Production Worksheet

Wilcom EmbroideryStudio - Designing



Design: **8**

Title:

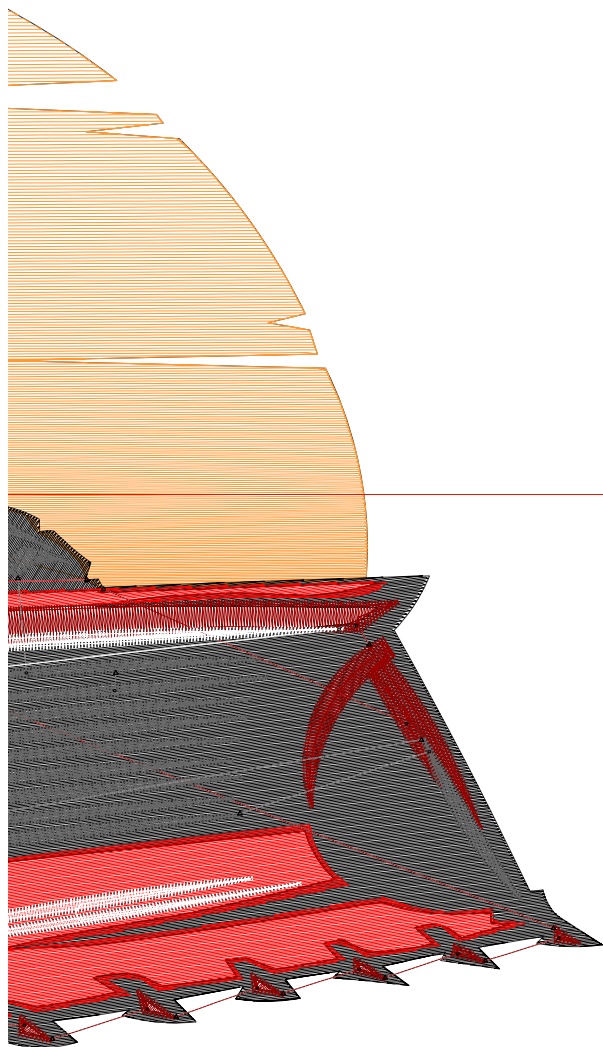
Stitches: 54,650
 Height: 5.93 in
 Width: 8.50 in
 Colors: 6
 Colorway: Colorway 1
 Zoom: 1:1

| | |
|---|---|
| 1 | 1 |
| 1 | 1 |

Machine format: Tajima
 Color changes: 5
 Stops: 6
 Trims: 117
 Appliqués: 0
 Left: 107.2 mm
 Right: 108.7 mm
 Up: 73.4 mm
 Down: 77.2 mm
 EndX: 0.00 in
 EndY: 0.00 in
 Area: 50.37 in²
 Max stitch: 7.0 mm
 Min stitch: 0.0 mm
 Max jump: 6.9 mm
 Total thread: 935.44ft
 Total bobbin: 340.67ft

Stop Sequence:

| # | N# | Color | St. | Code | Name | Chart |
|----|----|-------|--------|------|----------|---------|
| 1. | 12 | | 4,999 | 12 | Orange | Default |
| 2. | 8 | | 22,200 | 8 | Black | Default |
| 3. | 3 | | 9,043 | 3 | Red | Default |
| 4. | 11 | | 4,482 | 11 | Dark Red | Default |
| 5. | 18 | | 10,742 | 18 | Grey | Default |
| 6. | 9 | | 3,182 | 9 | White | Default |



2

| | |
|---|---|
| 2 | 2 |
| 2 | 2 |